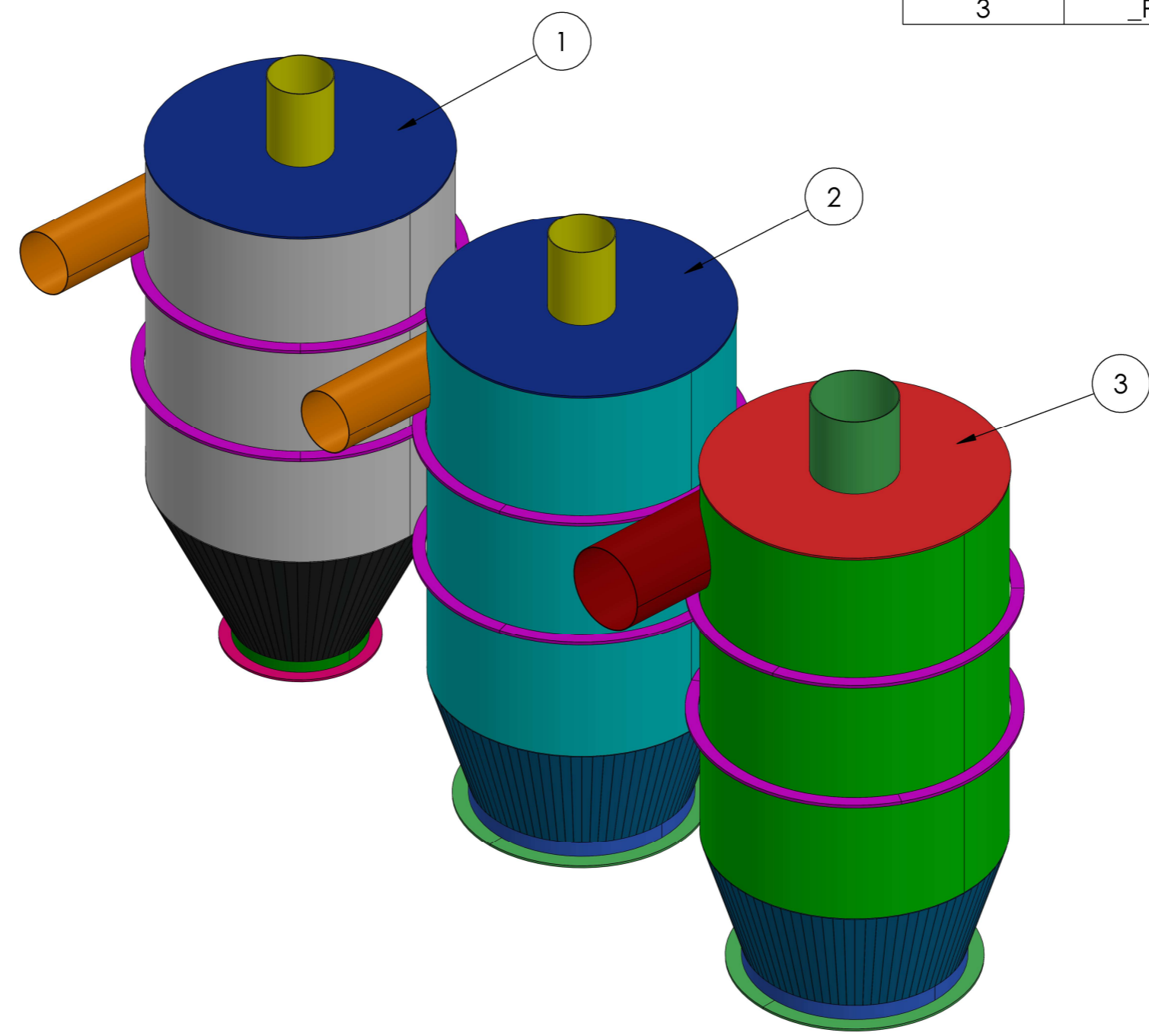




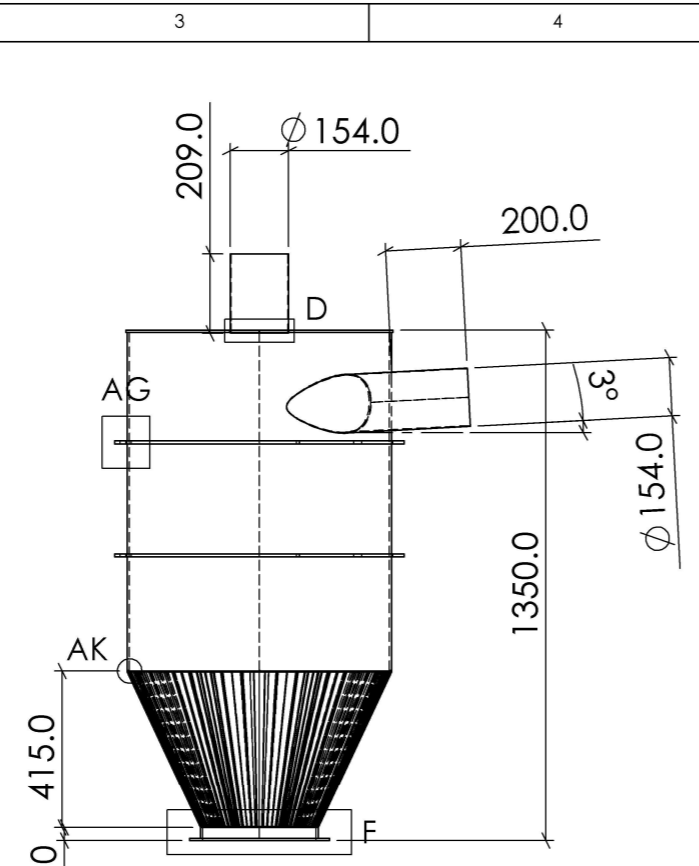
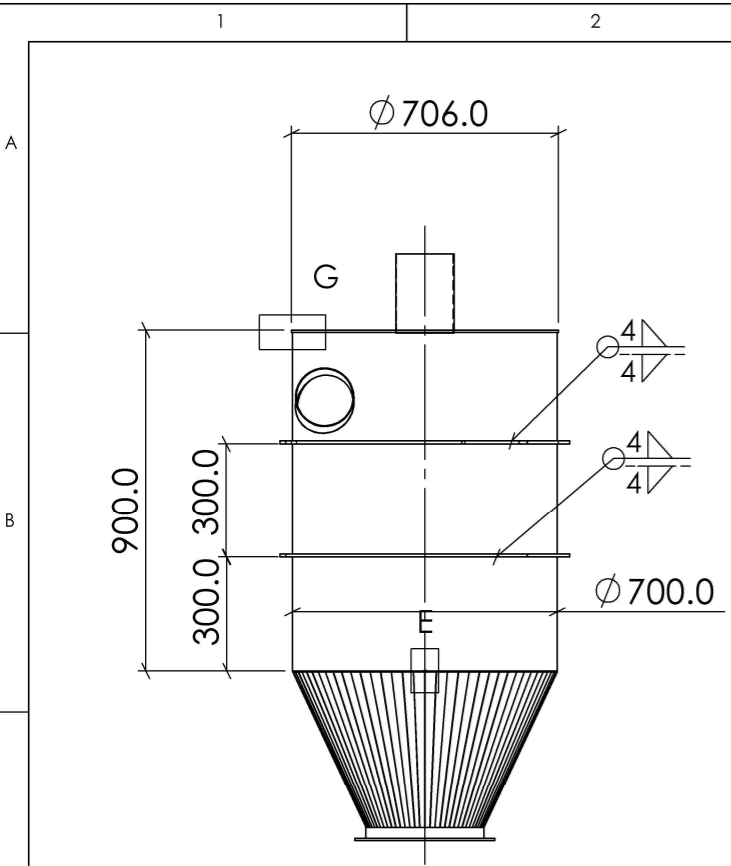
Nr. (Item No.)	Pavadinimas (Part Number)	Svoris, kg. (Weight)	Vnt. (QTY.)
1	_P786_300	164.7	9
2	_P786_500-150	172.2	1
3	_P786_500-200	171.8	1



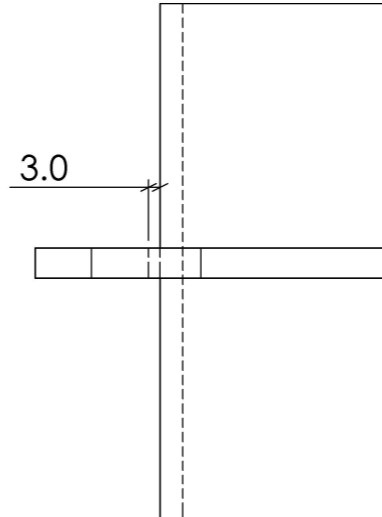
Essential manufacturing tolerances according EN 1090-2:2008	
Class of Tolerance	Permitted variations of main Range, mm
Dimension	120-140 ±1
Tolerance	400-1000 ±1.5
	1000-2000 ±2
	2000-4000 ±4
	4000-8000 ±8

EN 1090-1:2009,+A1:2011, EXC2/EXC3

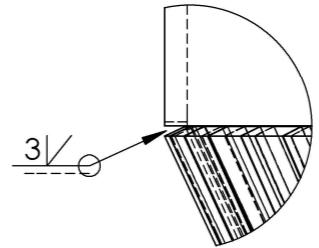
Info:		 Inžinierius / Engineer Dovydas		Pavardė, parašas / Last name, signature Dovydas		Data / Date 1/18/2021		Projektas / Project P786		Medžiaga / Material AISI304L		Mastelis / Scale 1:20		Revizija / Revision V01	
		Brėž. Patikra / Drawing check						Pav. / Part code:		www.metalworks.lt		P786 Surinkimas			
		Matmenų nuokrypiai / Dimensional deviations:		ISO 2768-mK (V)											
Pav. padengimas / Surface treatment				Fallo pavadinimas / File name		_P786 Production drawings V01				Lapo nr. / Sheet		Lapo sk. / Total sheet			
Padengimo storis / Coating thickness				Kokybės patikra / Quality insp.						1		20			
		Kiekis		vnt.											
		G:\Shared drives\CC\P786, Furuseth, Ciklonai\2. Production Drawings\Production drawings\													



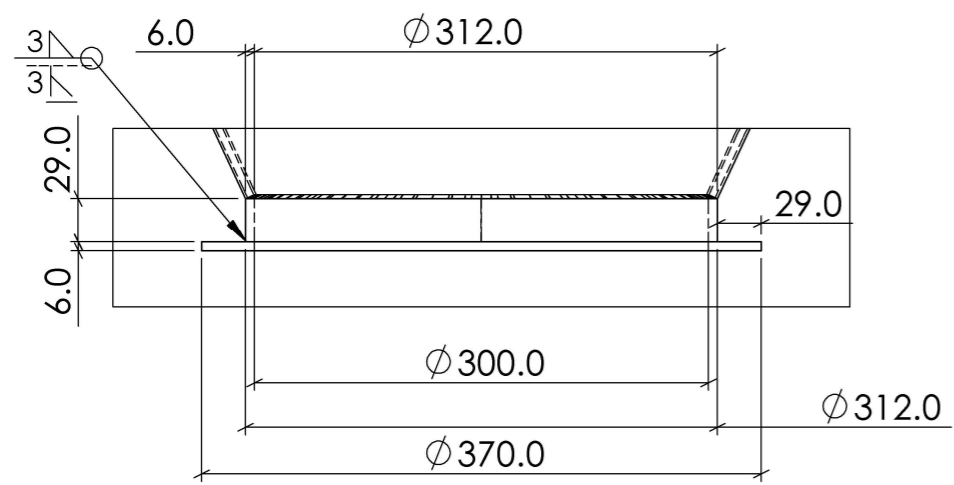
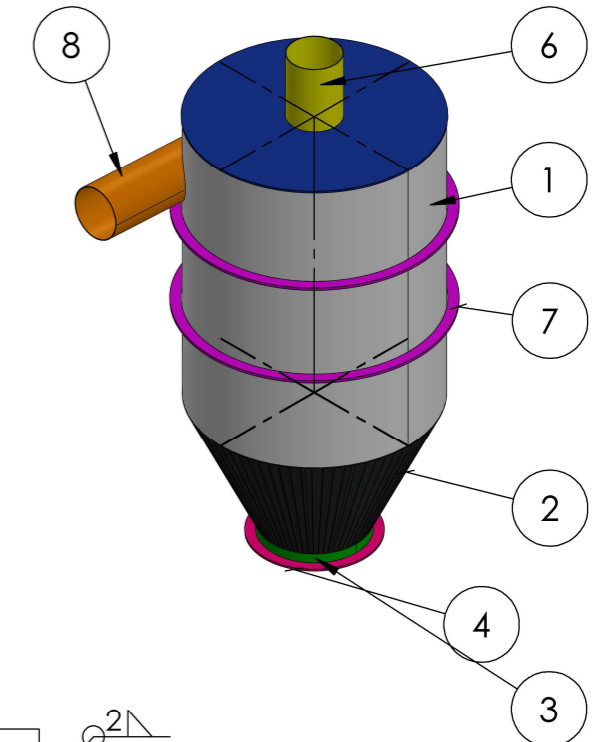
Nr. (Item No.)	Pavadinimas (Part Number)	Apibūdinimas (Description)	Svoris, kg. (Weight)	Plotas, m ² (Surface area)	Vnt. (QTY.)
1	P786_P1		94.6	4.2	1
2	P786_P2		17.2	0.7	2
3	P786_P3		1.3	0.1	1
4	P786_P4		1.8	0.1	1
5	P786_P5		17.9	0.8	1
6	P786_P6		1.6	0.2	1
7	P786_P7		4.4	0.2	2
8	P786_P15		2.6	0.3	1



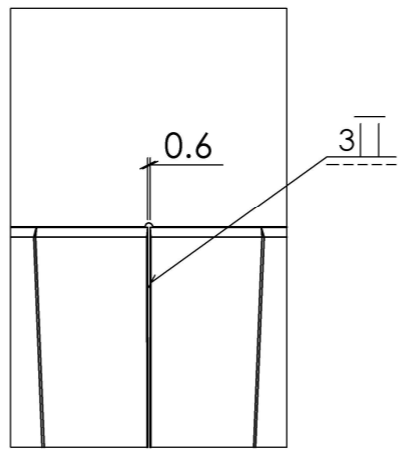
DETAIL AG
SCALE 1 : 2



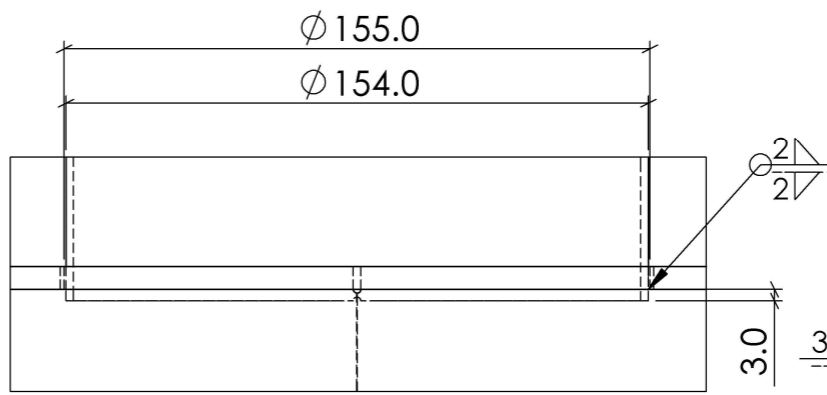
DETAIL AK
SCALE 1 : 2



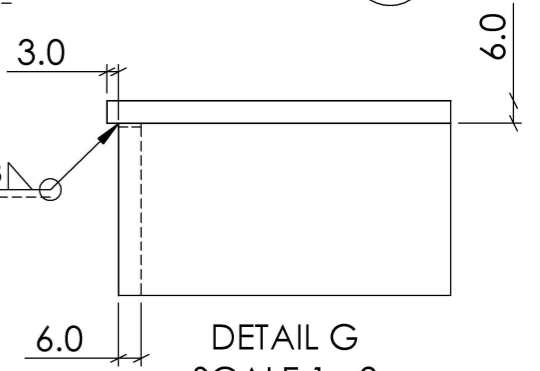
DETAIL F
SCALE 1 : 5



DETAIL E
SCALE 1 : 2

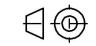


DETAIL D
SCALE 1 : 2



DETAIL G
SCALE 1 : 2

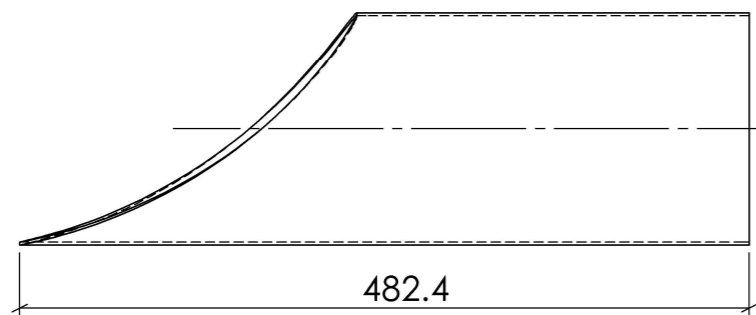
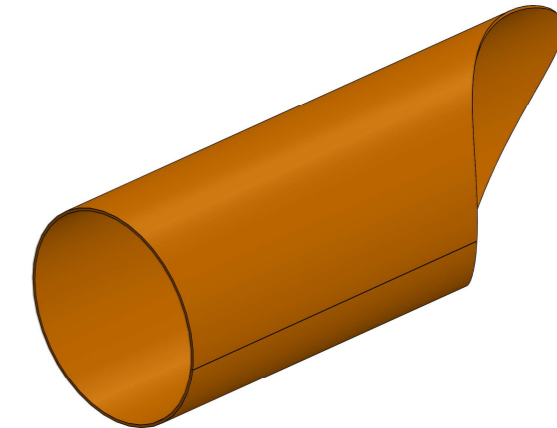
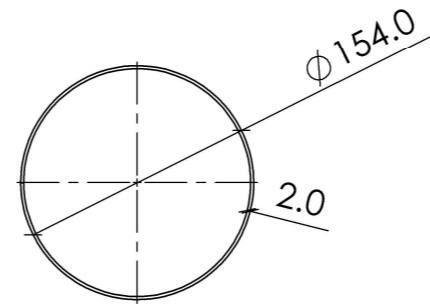
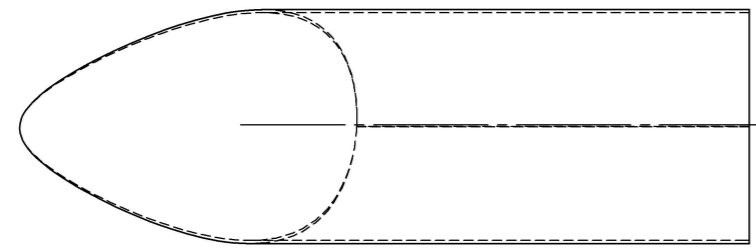
Essential manufacturing tolerances according EN 1090-2:2008	
4000-8000	±8
2000-4000	±4
1000-2000	±2
400-1000	±1.5
120-140	±1

Info:		 Pavardė, parašas / Last name, signature Dovydas		Data / Date 1/18/2021		Projektas / Project P786		Medžiaga / Material AISI304L		Mastelis / Scale 1:20		Revizija / Revision V01	
Pav. padengimas / Surface treatment		Kiekis 9 vnt.		Falio pavadinimas / File name		_P786 Production drawings V01		COSMOS CONSTRUCTION		Lapo nr. / Sheet		Lapo sk. / Total sheet	
Padengimo storis / Coating thickness				Kokybės patikra / Quality insp.				2		20			

EN 1090-1:2009,+A1:2011, EXC2/EXC3

G:\Shared drives\CC\P786, Furuseth, Ciklonai\2. Production Drawings\Production drawings\

Monday, January 18, 2021 10:06:27 AM



Essential manufacturing tolerances according EN 1090-2:2008

Class of Tolerance	Dimension	Tolerance
F	120-140	±1
F	400-1000	±1.5
F	1000-2000	±2
F	2000-4000	±4
F	4000-8000	±8

EN 1090-1:2009,+A1:2011, EXC2/EXC3

Info: 5 vienetai vamzdžių išpjauti pilnai su lazeriu
5 vienetus reikia pripjauti (žr. pav.)

Pav. padengimas / Surface treatment

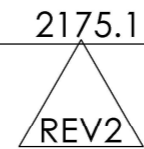
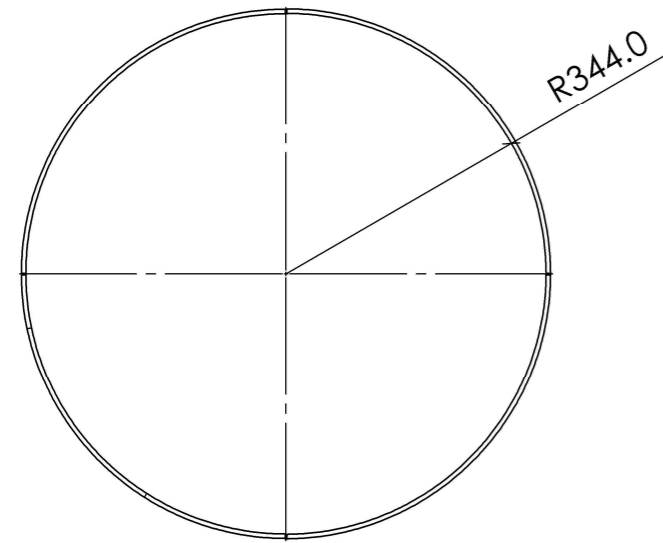
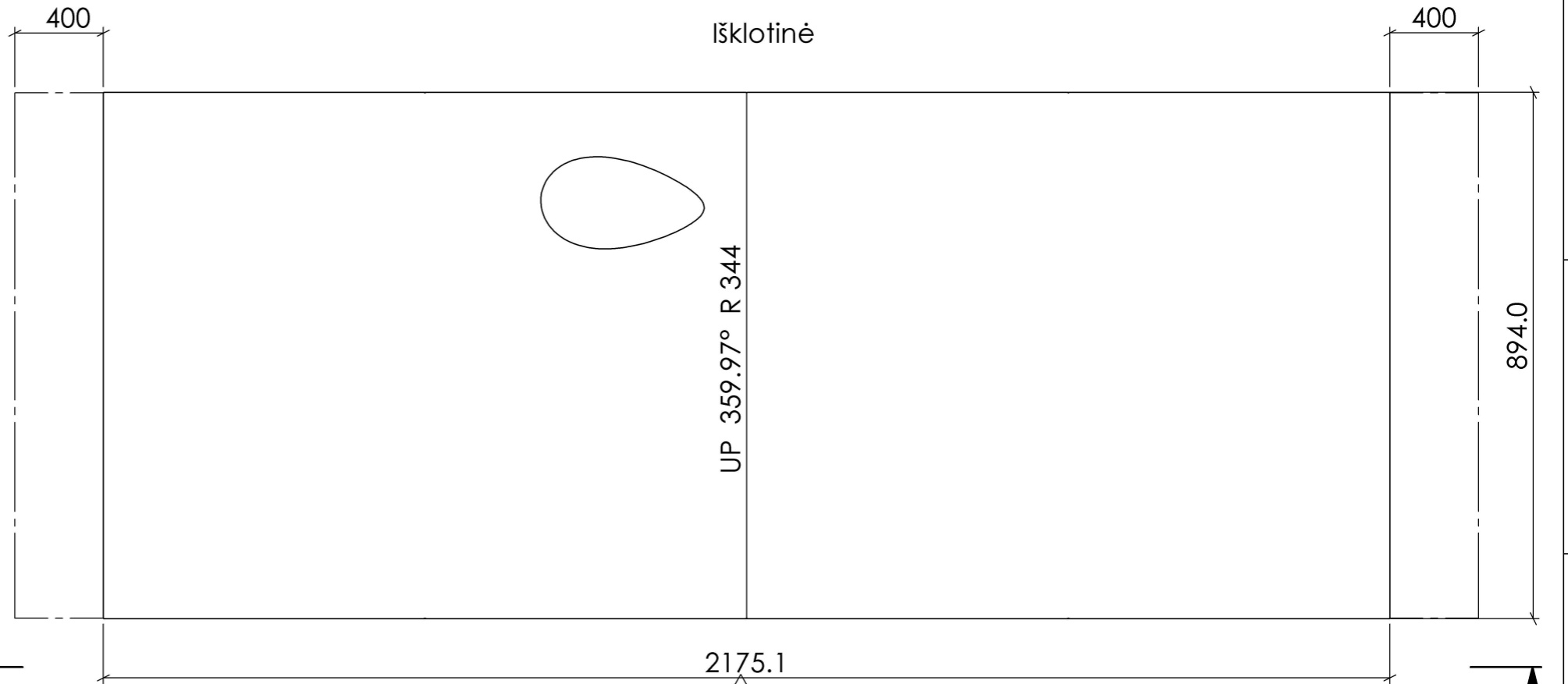
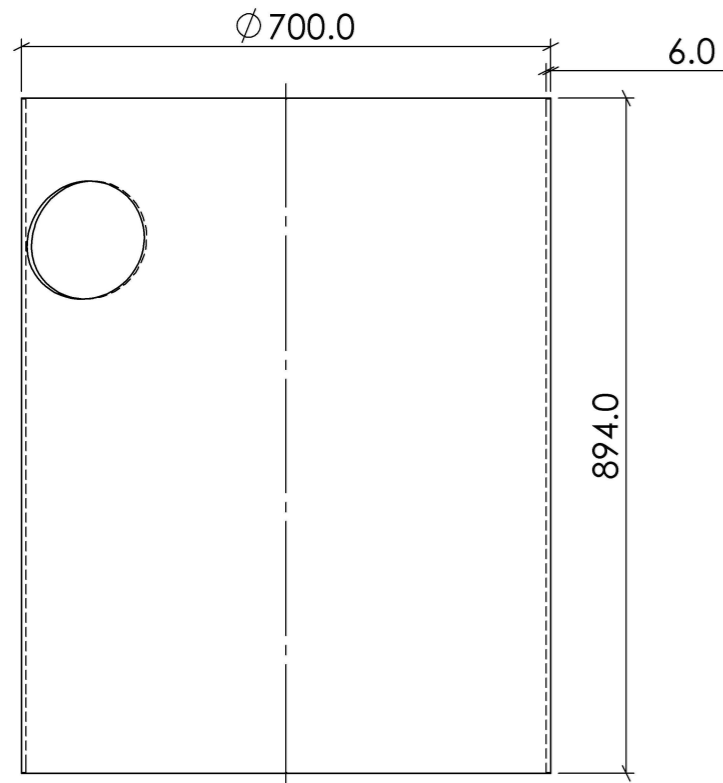
Padengimo storis / Coating thickness

Kiekis 10 vnt.

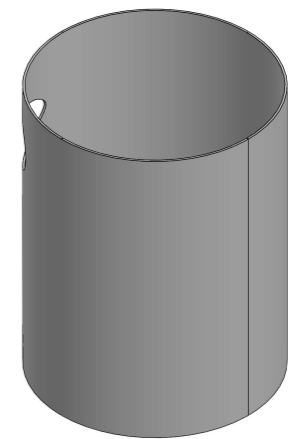
G:\Shared drives\CC\P786, Furuseth, Ciklonai\2. Production Drawings\Production drawings\

Inžinierius / Engineer	Pavardė, parašas / Last name, signature	Data / Date	Projektas / Project	Medžiaga / Material	Mastelis / Scale	Revizija / Revision
	Dovydas	1/18/2021	P786	AISI304L	1:5	V01
Brėž. Patikra / Drawing check			Pav. / Part code: www.metalworks.lt			
Matmenų nuokrypiai / Dimensional deviations:	ISO 2768-mK (V)		P786_P15			
Falo pavadinimas / File name	_P786 Production drawings	V01	COSMOS CONSTRUCTION		Lapo nr. / Sheet	Lapu sk. / Total sheet
Kokybės patikra / Quality insp.					3	20

REVISIONS				
ZONE	REV.	DESCRIPTION	DATE	APPROVED
-	2	Patrumpinta išklotinė per 5mm	-	-



Valcavimo kryptis



SECTION N-N

Info:		Pavardė, parašas / Last name, signature	Data / Date	Projektas / Project	Medžiaga / Material	Mastelis / Scale	Revizija / Revision
	Inžinierius / Engineer	Dovydas	1/18/2021	P786	AISI304L	1:10	V02
	Brėž. Patikra / Drawing check			Pav. / Part code: www.metalworks.lt			
Matmenų nuokrypiai / Dimensional deviations:	ISO 2768-mK (V)		P786_P1				
Pav. padengimas / Surface treatment	Kiekis 9 vnt.	Failo pavadinimas / File name					
Padengimo storis / Coating thickness		Kokybės patikra / Quality insp.					

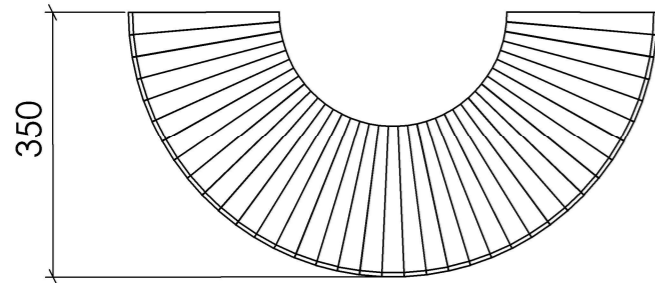
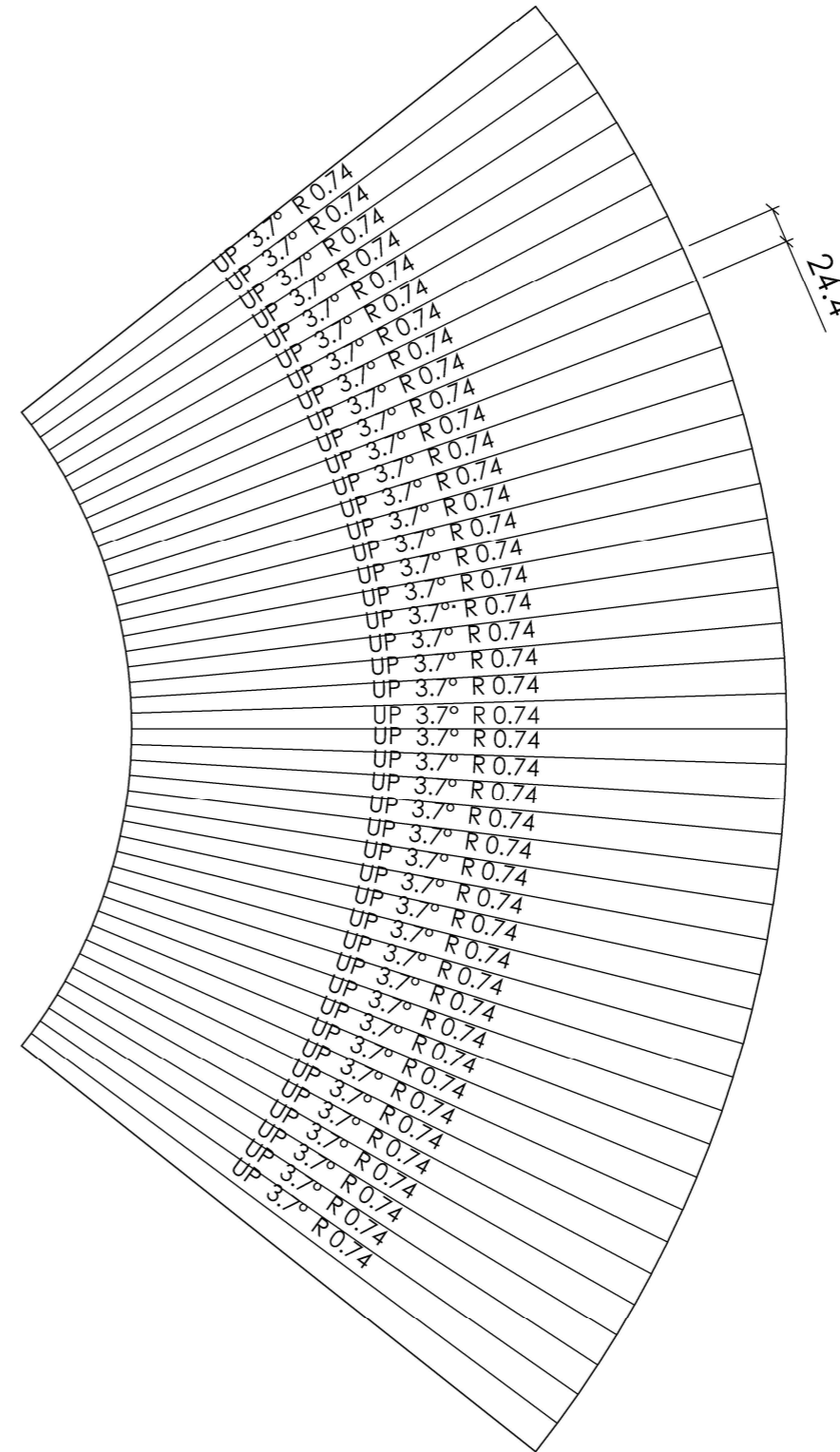
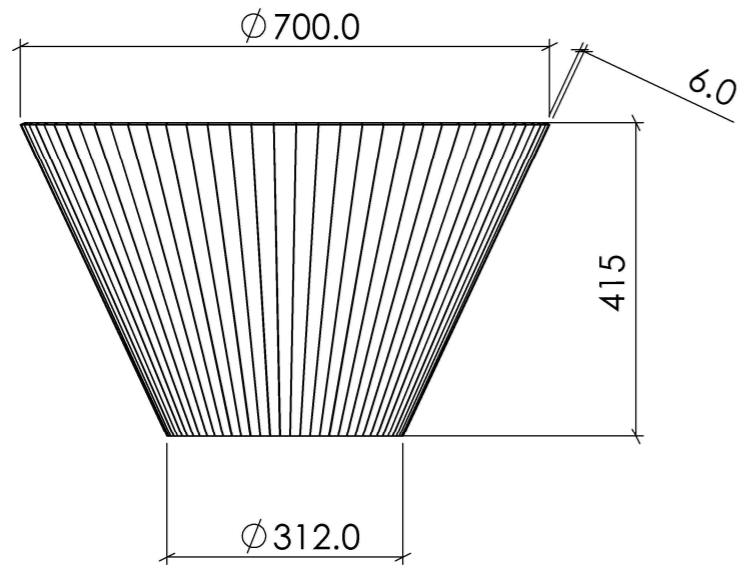
Essential manufacturing tolerances according EN 1090-2:2008

Class of Tolerance	Dimension	Tolerance
4000-8000	±8	
2000-4000	±4	
1000-2000	±2	
400-1000	±1.5	
120-140	±1	

Permitted variations of main Range, mm

EN 1090-1:2009,+A1:2011, EXC2/EXC3

REVISIONS				
ZONE	REV.	DESCRIPTION	DATE	APPROVED
-	2	Patrumpinta išklotinė per 5mm	-	-



Essential manufacturing tolerances according EN 1090-2:2008

Class of Tolerance	Dimension	Tolerance
F	120-140	±1
	400-1000	±1.5
F	1000-2000	±2
	2000-4000	±4
F	4000-8000	±8

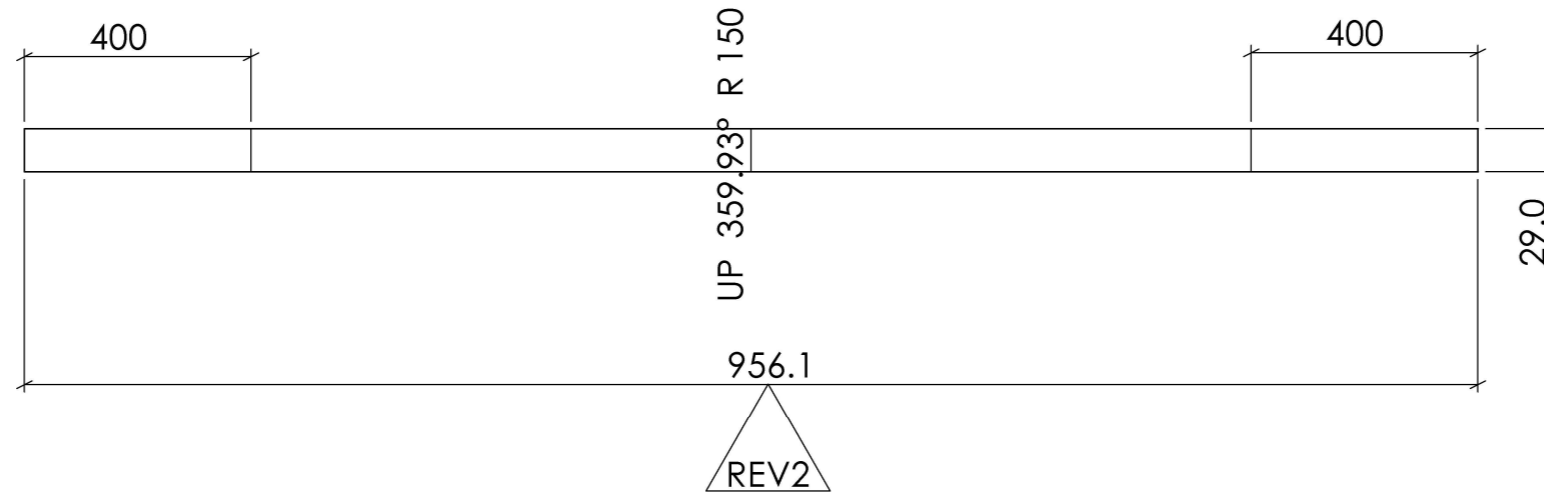
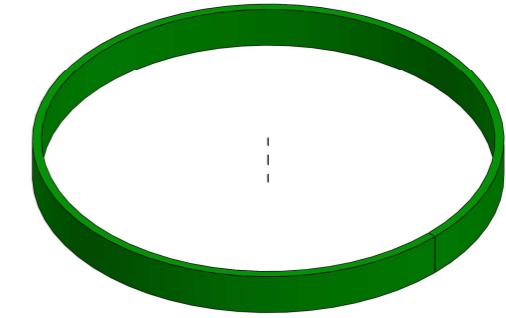
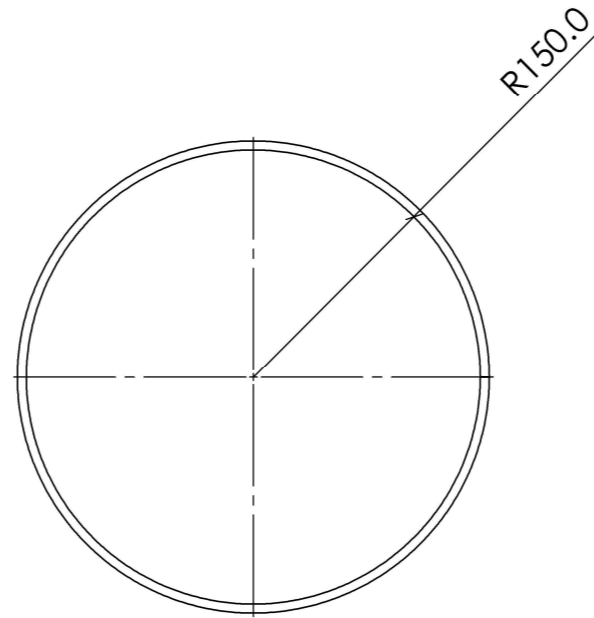
EN 1090-1:2009,+A1:2011, EXC2/EXC3

Info:		Pavardė, parašas / Last name, signature	Data / Date	Projektas / Project	Medžiaga / Material	Mastelis / Scale	Revizija / Revision
	Inžinierius / Engineer	Dovydas	1/18/2021	P786	AlSi304L	1:10	V02
	Brėž. Patikra / Drawing check			Pav. / Part code: www.metalworks.lt			
Matmenų nuokrypiai / Dimensional deviations:		ISO 2768-mK (V)		P786_P2			
Pav. padengimas / Surface treatment		Kiekis 18 vnt.	Failo pavadinimas / File name _P786 Production drawings V01			Lapo nr. / Sheet	Lapu sk. / Total sheet
Padengimo storis / Coating thickness			Kokybės patikra / Quality insp.			5	20

G:\Shared drives\CC\P786, Furuseth, Ciklonai\2. Production Drawings\Production drawings\

Monday, January 18, 2021 10:06:27 AM

REVISIONS				
ZONE	REV.	DESCRIPTION	DATE	APPROVED
-	2	Patrumpinta išklotinė per 5mm	-	-

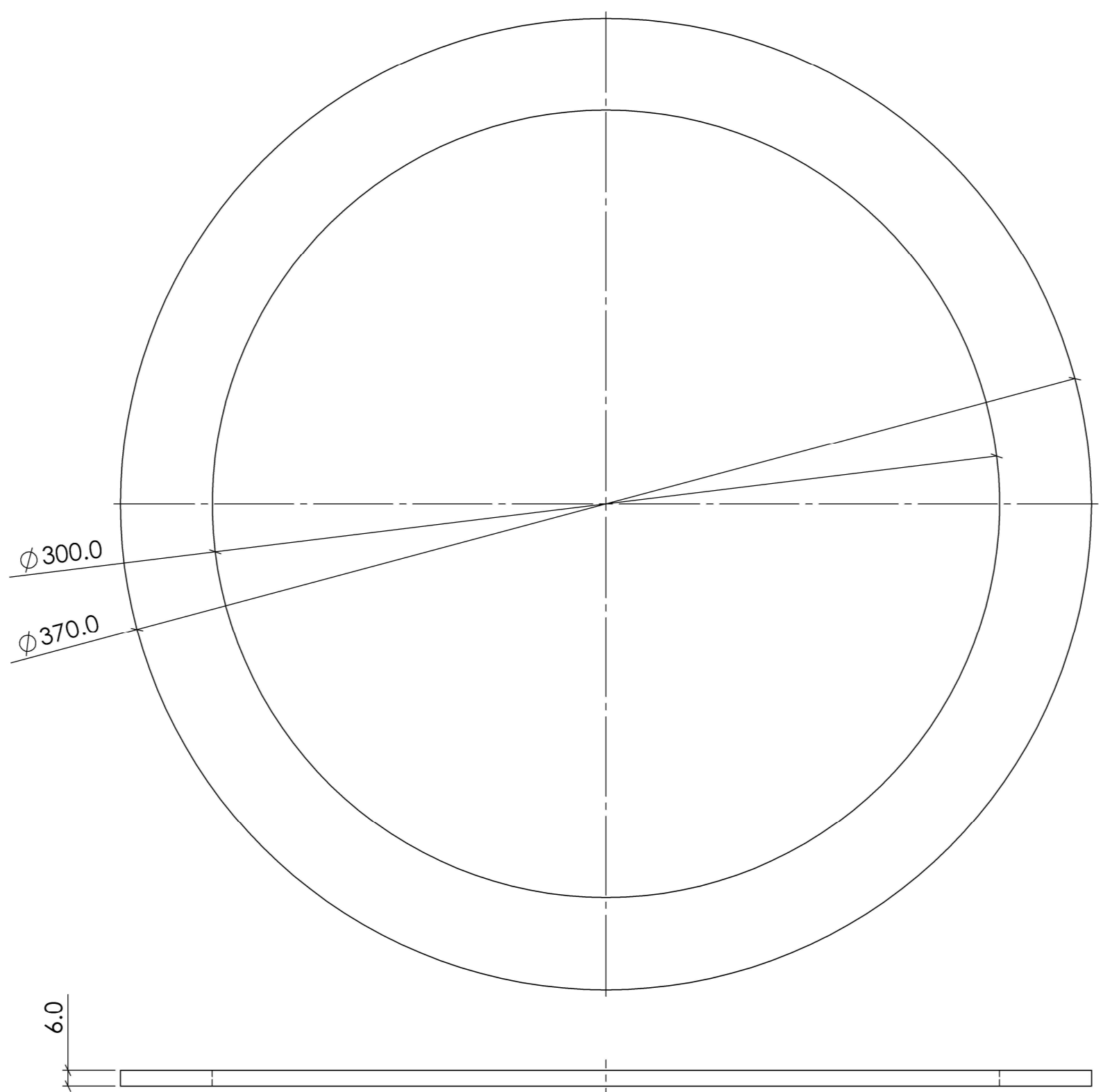


Essential manufacturing tolerances according EN 1090-2:2008

Class of Tolerance	Dimension	Tolerance
120-140	±1	±1
400-1000	±1.5	±2
1000-2000	±2	±4
2000-4000	±4	±8
4000-8000	±8	±16

EN 1090-1:2009,+A1:2011, EXC2/EXC3

Info:			Pavardė, parašas / Last name, signature	Data / Date	Projektas / Project	Medžiaga / Material	Mastelis / Scale	Revizija / Revision
		Inžinierius / Engineer	Dovydas	1/18/2021	P786	AISI304L	1:5	V02
		Brėž. Patikra / Drawing check			Pav. / Part code: www.metalworks.lt			
		Matmenų nuokrypiai / Dimensional deviations:	ISO 2768-mK (V)		P786_P3			
Pav. padengimas / Surface treatment		Kiekis 9 vnt.	Failo pavadinimas / File name	_P786 Production drawings V01			Lapo nr. / Sheet	Lapo sk. / Total sheet
Padengimo storis / Coating thickness			Kokybės patikra / Quality insp.				6	20



Essential manufacturing tolerances according EN 1090-2:2008	
Class of Tolerance	Permitted variations of main Range, mm
Dimension	120-140
Tolerance	±1
	400-1000
	±1.5
	1000-2000
	±2
	2000-4000
	±4
	4000-8000
	±8

EN 1090-1:2009,+A1:2011, EXC2/EXC3

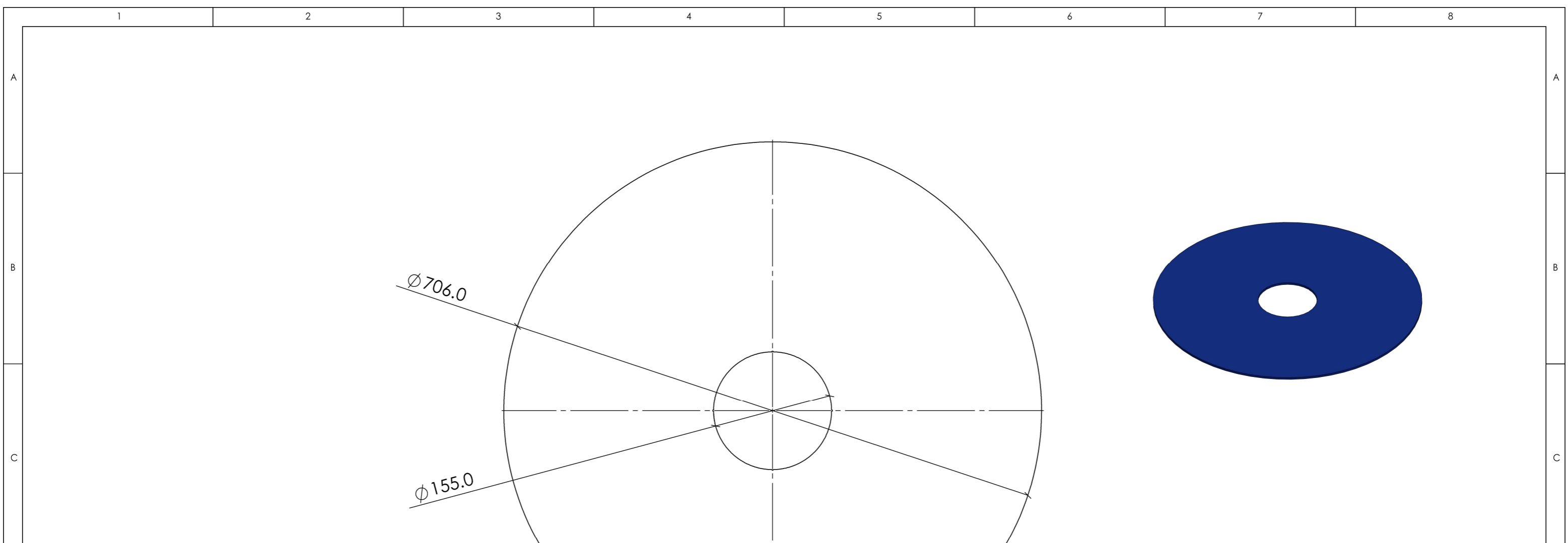
Info:			Pavardė, parašas / Last name, signature Dovydas	Data / Date 1/18/2021	Projektas / Project P786	Medžiaga / Material AISI304L	Mastelis / Scale 1:2	Revizija / Revision V01
Pav. padengimas / Surface treatment								
Padengimo storis / Coating thickness		Matmenų nuokrypiai / Dimensional deviations: ISO 2768-mK (V)	Failo pavadinimas / File name _P786 Production drawings V01				Lapo nr. / Sheet 7	Lapų sk. / Total sheet 20
G:\Shared drives\CC\P786, Furuseth, Ciklonai\2. Production Drawings\Production drawings\		Kiekis 9 vnt.	Kokybės patikra / Quality insp.				Monday, January 18, 2021 10:06:27 AM	

P786_P4

COSMOS CONSTRUCTION

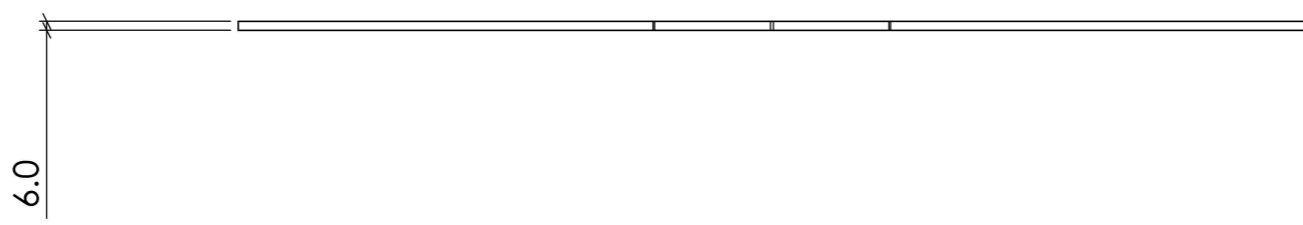
Lapo nr. / Sheet: 7
Lapų sk. / Total sheet: 20

Monday, January 18, 2021 10:06:27 AM



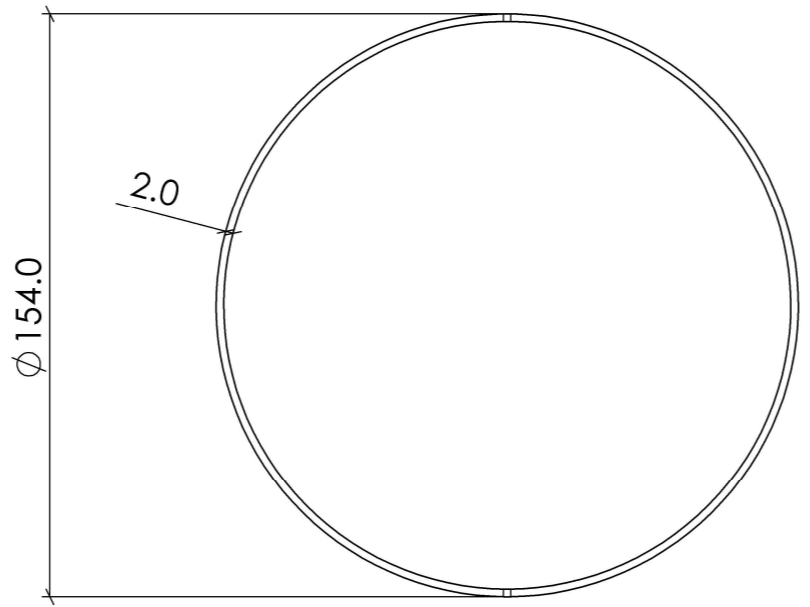
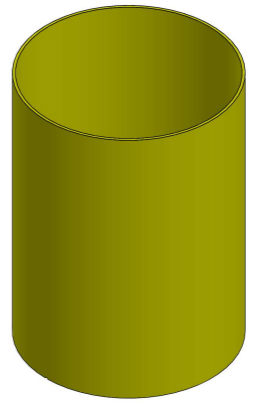
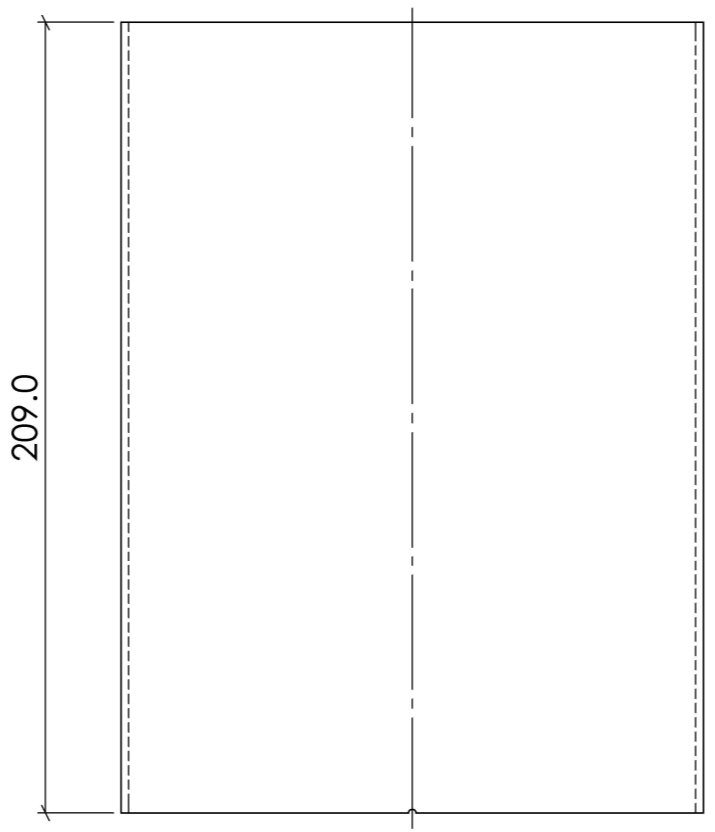
Essential manufacturing tolerances according EN 1090-2:2008	
Class of Tolerance	Permitted variations of main Range, mm
Dimension	120-140
Tolerance	±1
	400-1000
	±1.5
	1000-2000
	±2
	2000-4000
	±4
	4000-8000
	±8

EN 1090-1:2009,+A1:2011, EXC2/EXC3



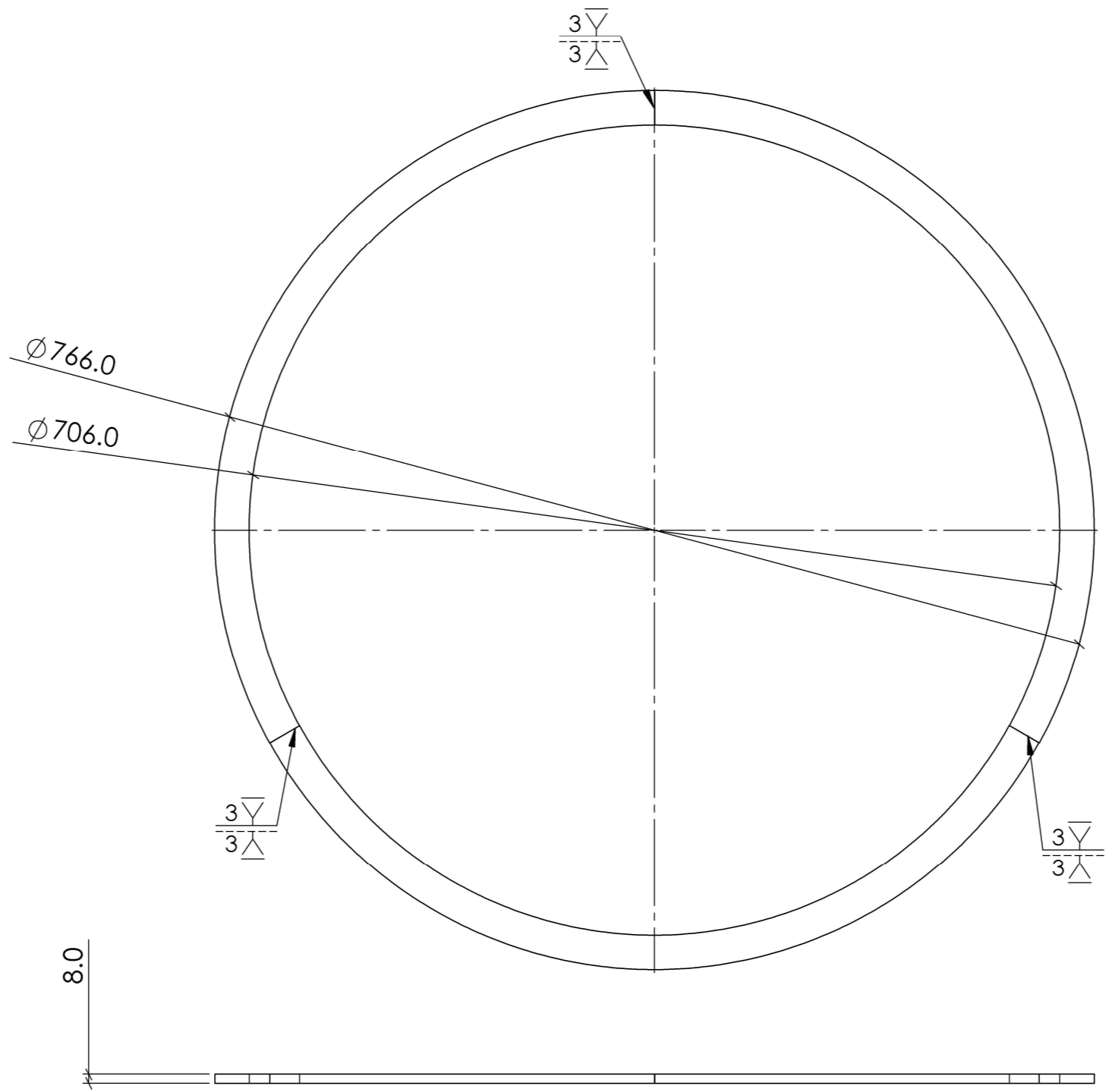
Info:				Pavardė, parašas / Last name, signature	Data / Date	Projektas / Project	Medžiaga / Material	Mastelis / Scale	Revizija / Revision
				Dovydas	1/18/2021	P786	AISI304L	1:5	V01
		Brėž. Patikra / Drawing check		Pav. / Part code: www.metalworks.lt					
		Matmenų nuokrypiai / Dimensional deviations:		ISO 2768-mK (V)					
Pav. padengimas / Surface treatment		Kiekis 10 vnt.		Failo pavadinimas / File name _P786 Production drawings V01		COSMOS CONSTRUCTION		Lapo nr. / Sheet 8	Lapų sk. / Total sheet 20
Padengimo storis / Coating thickness				Kokybės patikra / Quality insp.				Monday, January 18, 2021 10:06:27 AM	
G:\Shared drives\CC\P786, Furuseth, Ciklonai\2. Production Drawings\Production drawings\									

Nr. (Item No.)	Pavadinimas (Part Number)	Ilgis (Length)	Kampas1 (Angle1)	Kampas2 (Angle2)	Vnt. (QTY.)
1	Vamzdis ϕ 154x2 AISI 304L	209	0	0	1



Essential manufacturing tolerances according EN 1090-2:2008	4000-8000	± 8
	2000-4000	± 4
Permitted variations of main Range, mm	1000-2000	± 2
	400-1000	± 1.5
Class of Tolerance	120-140	± 1
	Dimension	
Tolerance		

Info:		Pavardė, parašas / Last name, signature	Data / Date	Projektas / Project	Medžiaga / Material	Mastelis / Scale	Revizija / Revision	
	Inžinierius / Engineer	Dovydas	1/18/2021	P786	AISI304L	1:2	V01	
	Brėž. Patikra / Drawing check			Pav. / Part code: www.metalworks.lt				
	Matmenų nuokrypiai / Dimensional deviations:	ISO 2768-mK (V)		P786_P6				
Pav. padengimas / Surface treatment		Kiekis 10 vnt.	Failo pavadinimas / File name	_P786 Production drawings V01	COSMOS CONSTRUCTION		Lapo nr. / Sheet	Lapu sk. / Total sheet
Padengimo storis / Coating thickness			Kokybės patikra / Quality insp.				9	20



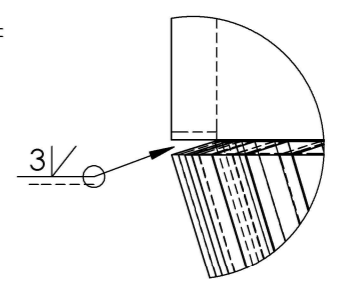
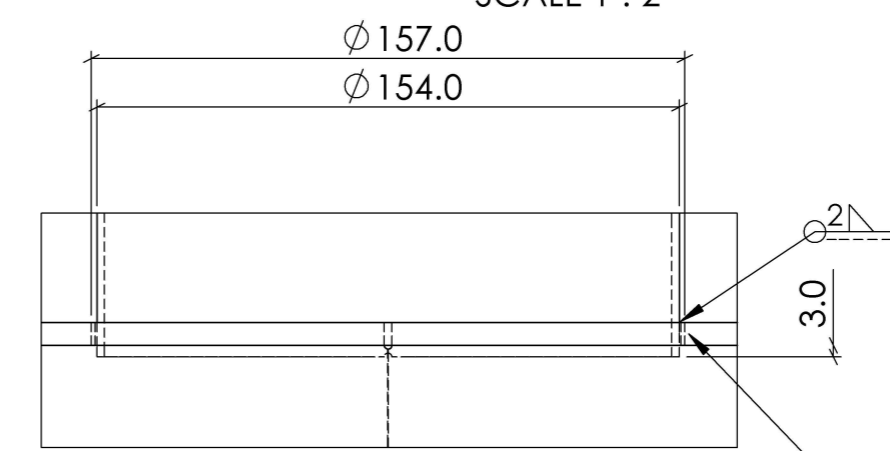
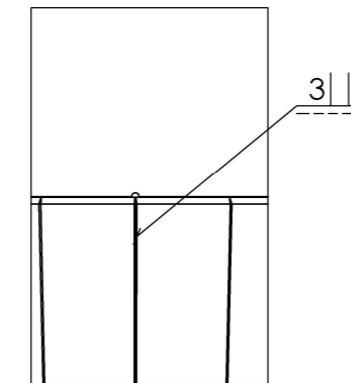
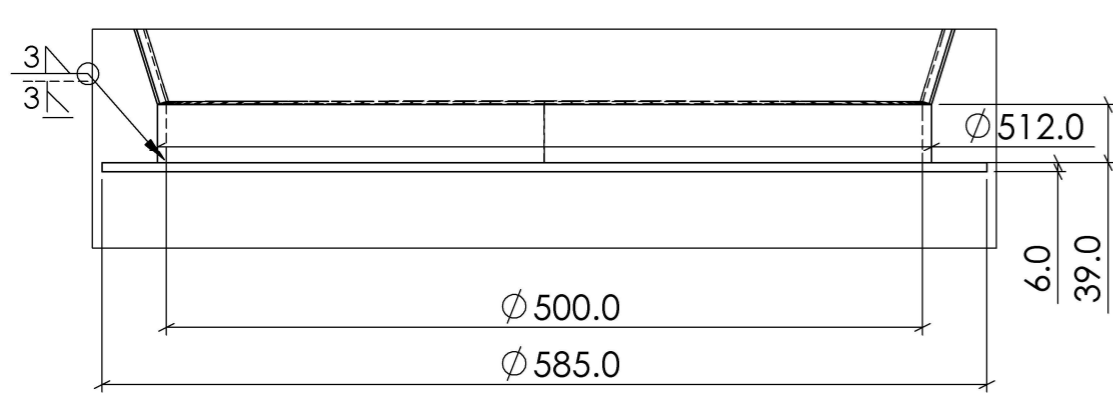
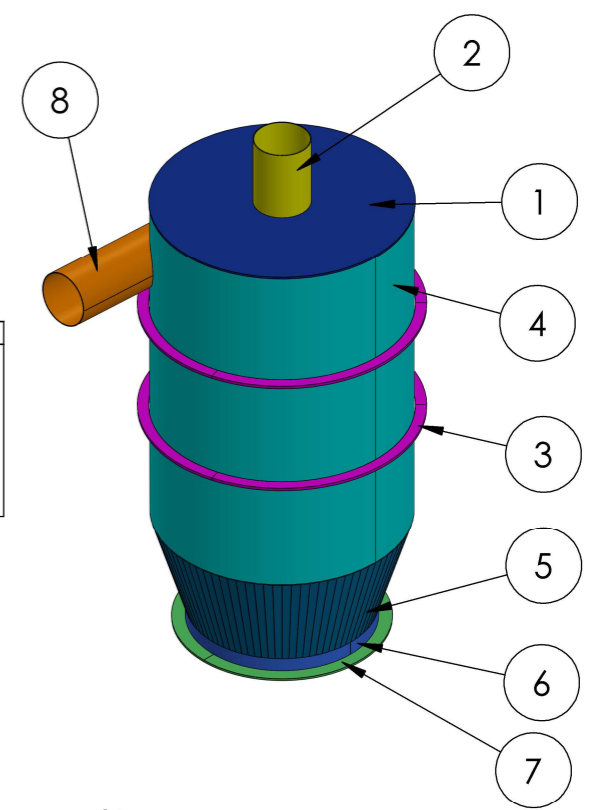
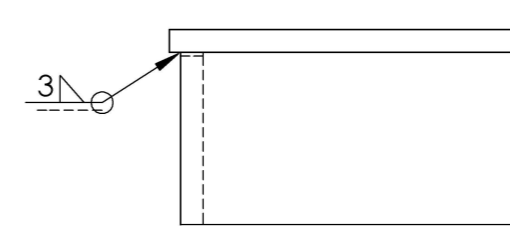
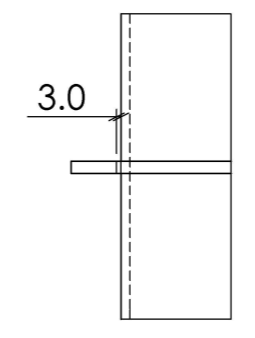
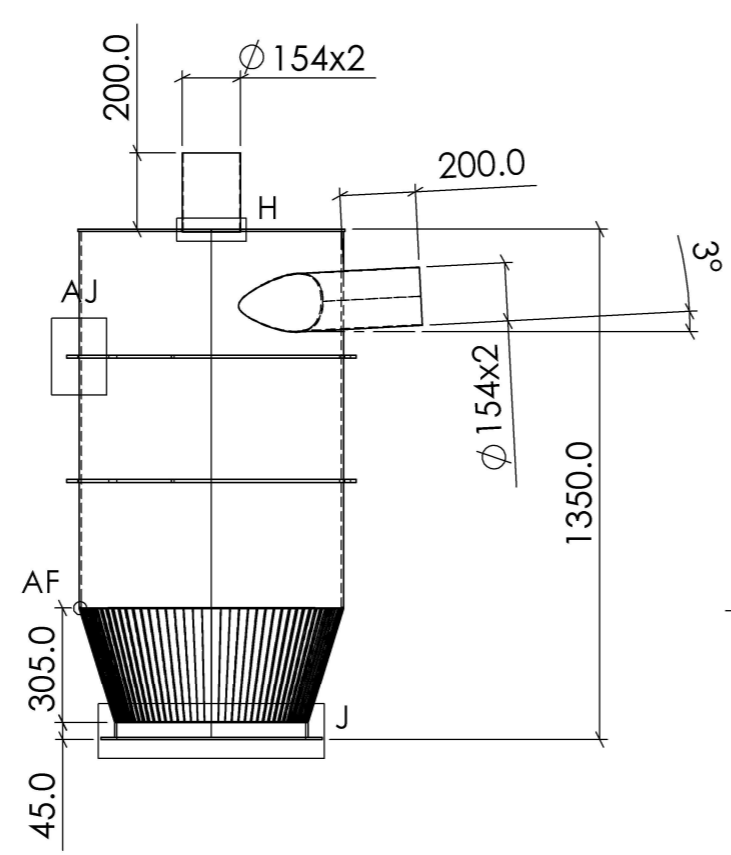
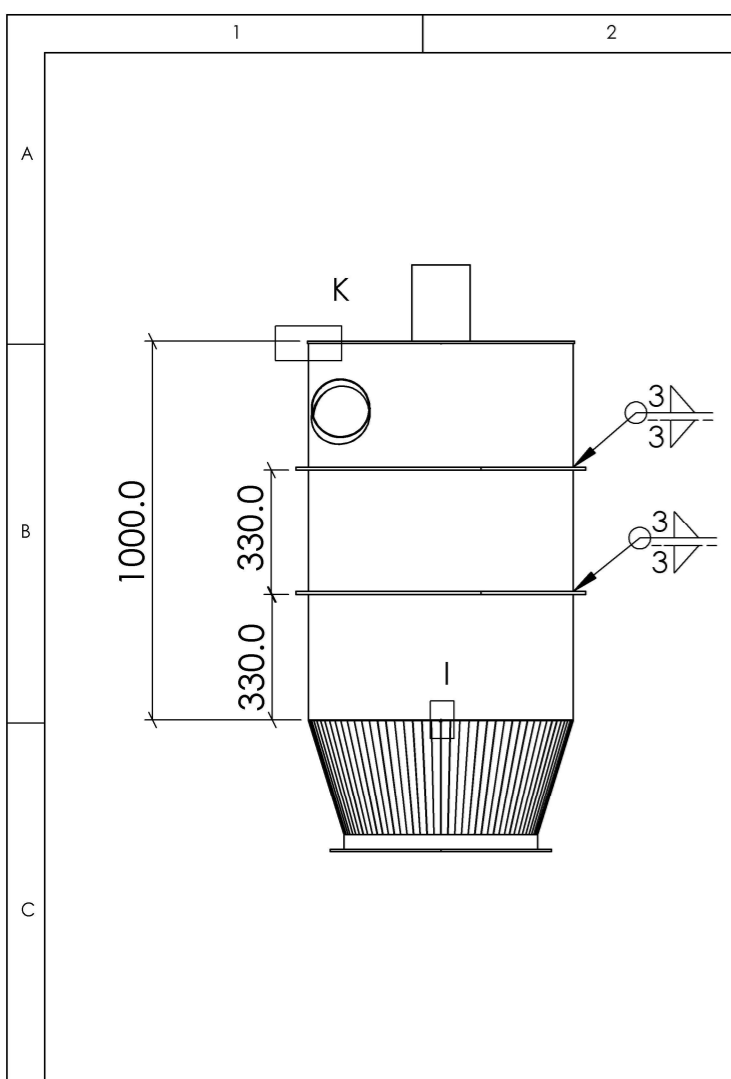
Essential manufacturing tolerances according EN 1090-2:2008

Class of Tolerance	Dimension	Tolerance
1	120-140	±1
2	400-1000	±1.5
3	1000-2000	±2
4	2000-4000	±4
5	4000-8000	±8

EN 1090-1:2009,+A1:2011, EXC2/EXC3

Info:		22 vnt.
Pav. padengimas / Surface treatment		
Padengimo storis / Coating thickness		
G:\Shared drives\CC\P786, Furusetth, Ciklonai\2. Production Drawings\Production drawings\		

	Pavardė, parašas / Last name, signature	Data / Date	Projektas / Project	Medžiaga / Material	Mastelis / Scale	Revizija / Revision
Inžinierius / Engineer	Dovydas	1/18/2021	P786	AISI304L	1:5	V01
Brėž. Patikra / Drawing check			Pav. / Part code: www.metalworks.lt			
Matmenų nuokrypiai / Dimensional deviations:	ISO 2768-mK (V)		P786_P7			
Fallo pavadinimas / File name	_P786 Production drawings V01				Lapo nr. / Sheet	Lapu sk. / Total sheet
Kokybės patikra / Quality insp.					10	20
			Monday, January 18, 2021 10:06:27 AM			



DETAIL K
SCALE 1 : 2

DETAIL AJ
SCALE 1 : 5

DETAIL J
SCALE 1 : 5

DETAIL I
SCALE 1 : 2

DETAIL H
SCALE 1 : 2

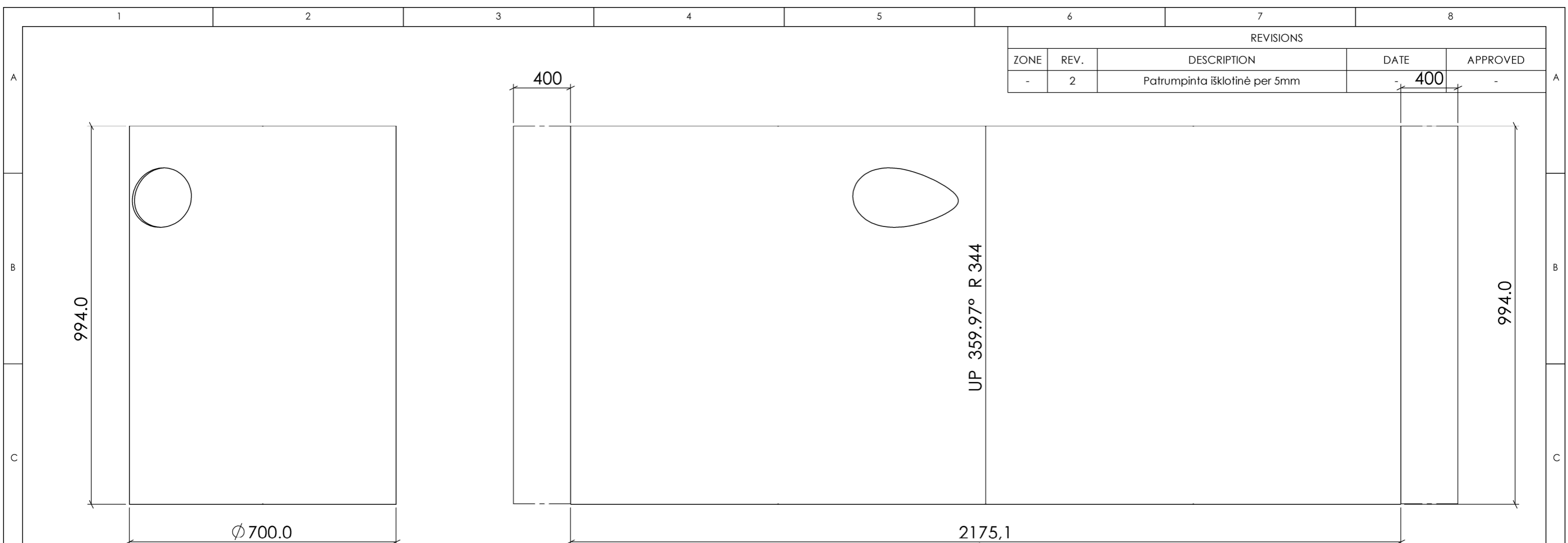
DETAIL AF
SCALE 1 : 1

Nr. (Item No.)	Pavadinimas (Part Number)	Apibūdinimas (Description)	Svoris, kg. (Weight)	Plotas, m ² (Surface area)	Vnt. (QTY.)
1	P786_P5		17.9	0.8	1
2	P786_P6		1.6	0.2	1
3	P786_P7		4.4	0.2	2
4	P786_P8		105.1	4.6	1
5	P786_P9		14.3	0.6	2
6	P786_P10		3.0	0.1	1
7	P786_P11		3.5	0.2	1
8	P786_P15		2.6	0.3	1

Class of Tolerance		Permitted variations of main Range, mm	
Dimension	Tolerance	120-140	±1
		400-1000	±1.5
		1000-2000	±2
		2000-4000	±4
		4000-8000	±8

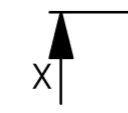
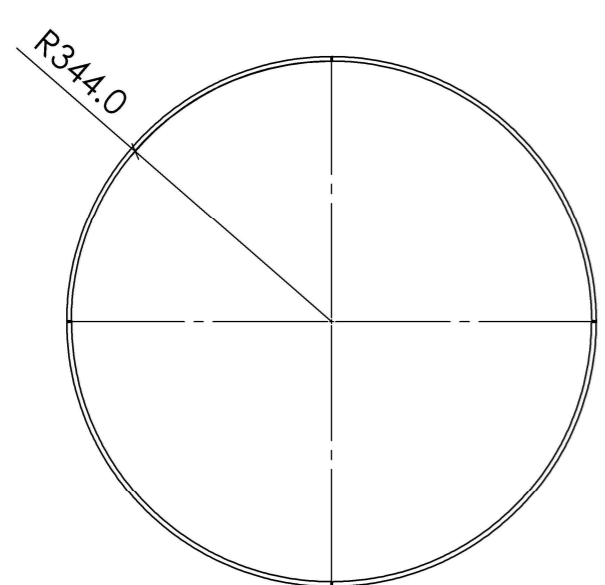
Essential manufacturing tolerances according EN 1090-2:2008

Info:				Pavardė, parašas / Last name, signature Dovydas		Data / Date 1/18/2021		Projektas / Project P786		Medžiaga / Material AISI304L		Mastelis / Scale 1:20		Revizija / Revision V01	
Pav. padengimas / Surface treatment		Kiekis 1 vnt.		Failo pavadinimas / File name _P786 Production drawings V01		Matmenų nuokrypiai / Dimensional deviations: ISO 2768-mK (V)		Pav. / Part code: P786_500-150				Lapo nr. / Sheet 11		Lapų sk. / Total sheet 20	
Padengimo storis / Coating thickness				Kokybės patikra / Quality insp.											

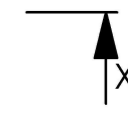
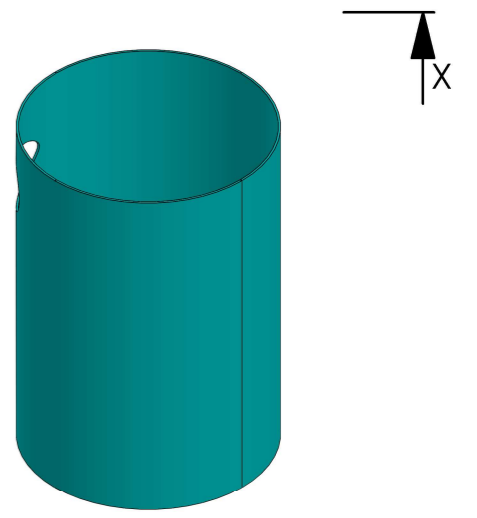
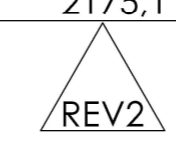
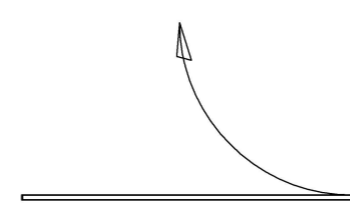


REVISIONS				
ZONE	REV.	DESCRIPTION	DATE	APPROVED
-	2	Patrumpinta išklotinė per 5mm	400	-

Essential manufacturing tolerances according EN 1090-2:2008	
4000-8000	±8
2000-4000	±4
1000-2000	±2
400-1000	±1.5
120-140	±1
Class of Tolerance	
Dimension	
Tolerance	



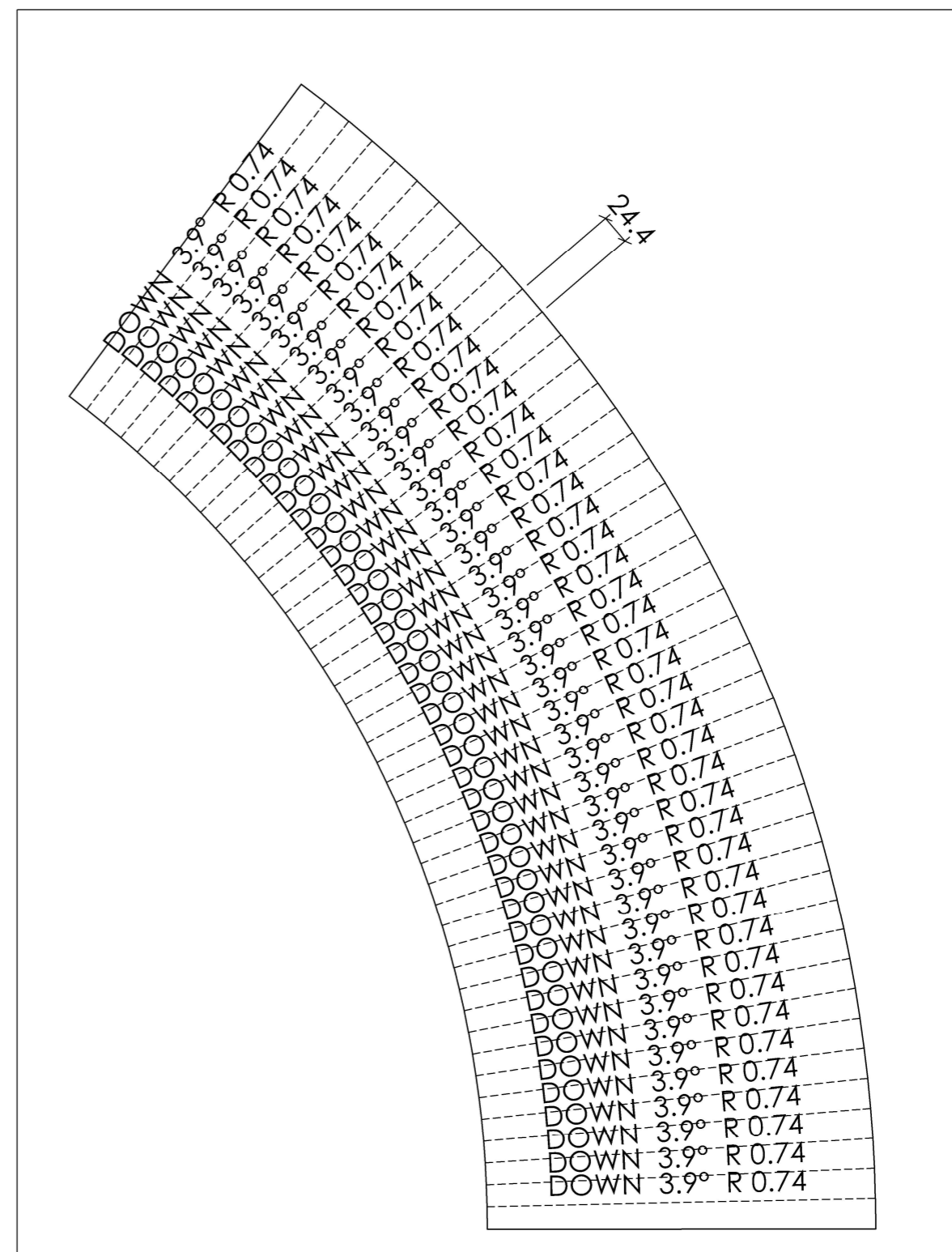
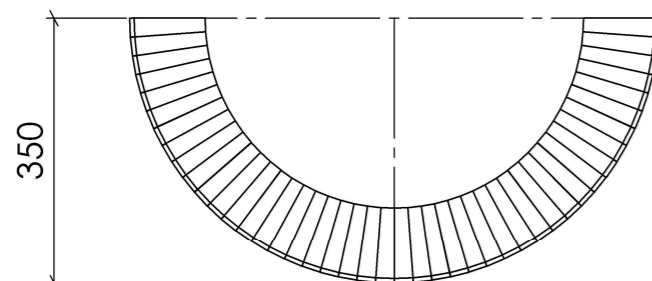
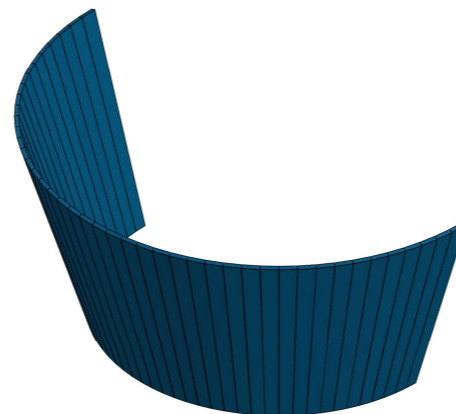
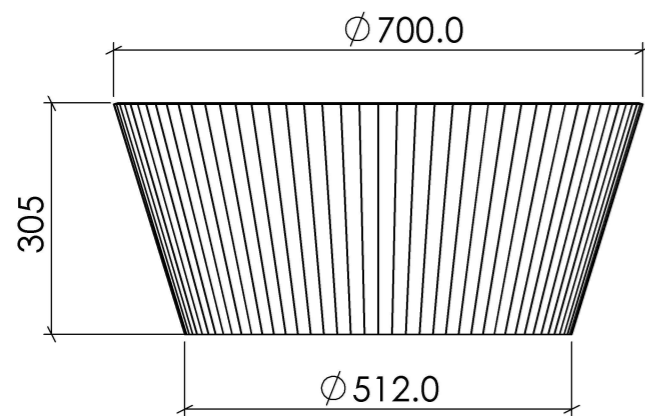
Valcavimo kryptis



SECTION X-X

Info:		Pavardė, parašas / Last name, signature	Data / Date	Projektas / Project	Medžiaga / Material	Mastelis / Scale	Revizija / Revision
		Dovydas	1/18/2021	P786	AISI304L	1:10	V02
		Brėž. Patikra / Drawing check		Pav. / Part code: www.metalworks.lt			
		Matmenų nuokrypiai / Dimensional deviations:	ISO 2768-mK (V)	P786_P8			
Pav. padengimas / Surface treatment		Kiekis 1 vnt.	Failo pavadinimas / File name	_P786 Production drawings V01	COSMOS CONSTRUCTION		Lapo nr. / Sheet
Padengimo storis / Coating thickness		Kokybės patikra / Quality insp.		12			
G:\Shared drives\CC\P786, Furuseth, Ciklonai\2. Production Drawings\Production drawings\				Monday, January 18, 2021 10:06:27 AM		Lapo sk. / Total sheet	20

REVISIONS				
ZONE	REV.	DESCRIPTION	DATE	APPROVED
-	2	Patrumpinta išsklotinė per 5mm	-	-



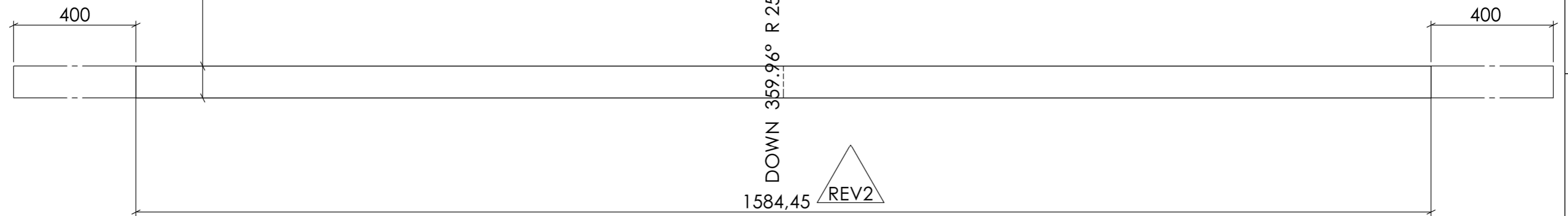
Essential manufacturing tolerances according EN 1090-2:2008	
4000-8000	±8
2000-4000	±4
1000-2000	±2
400-1000	±1.5
120-140	±1

Class of Tolerance	
Dimension	±1
Tolerance	±1

EN 1090-1:2009,+A1:2011, EXC2/EXC3

Info:		Pavardė, parašas / Last name, signature	Data / Date	Projektas / Project	Medžiaga / Material	Mastelis / Scale	Revizija / Revision
	Inžinierius / Engineer	Dovydas	1/18/2021	P786	AlSi304L	1:10	V02
	Brėž. Patikra / Drawing check			Pav. / Part code: www.metalworks.lt			
	Matmenų nuokrypiai / Dimensional deviations:	ISO 2768-mK (V)		P786_P9			
Pav. padengimas / Surface treatment		Kiekis 4 vnt.	Failo pavadinimas / File name _P786 Production drawings V01	COSMOS CONSTRUCTION		Lapo nr. / Sheet	Lapu sk. / Total sheet
Padengimo storis / Coating thickness			Kokybės patikra / Quality insp.			13	20

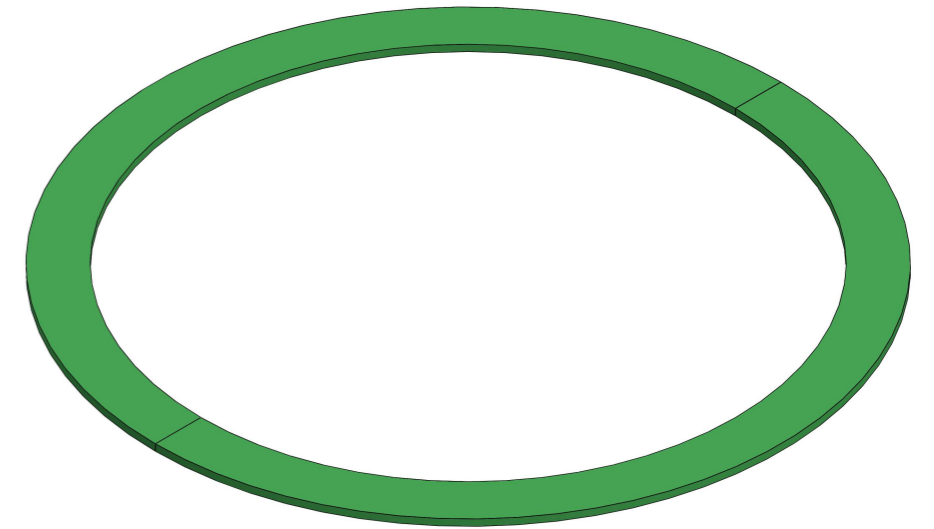
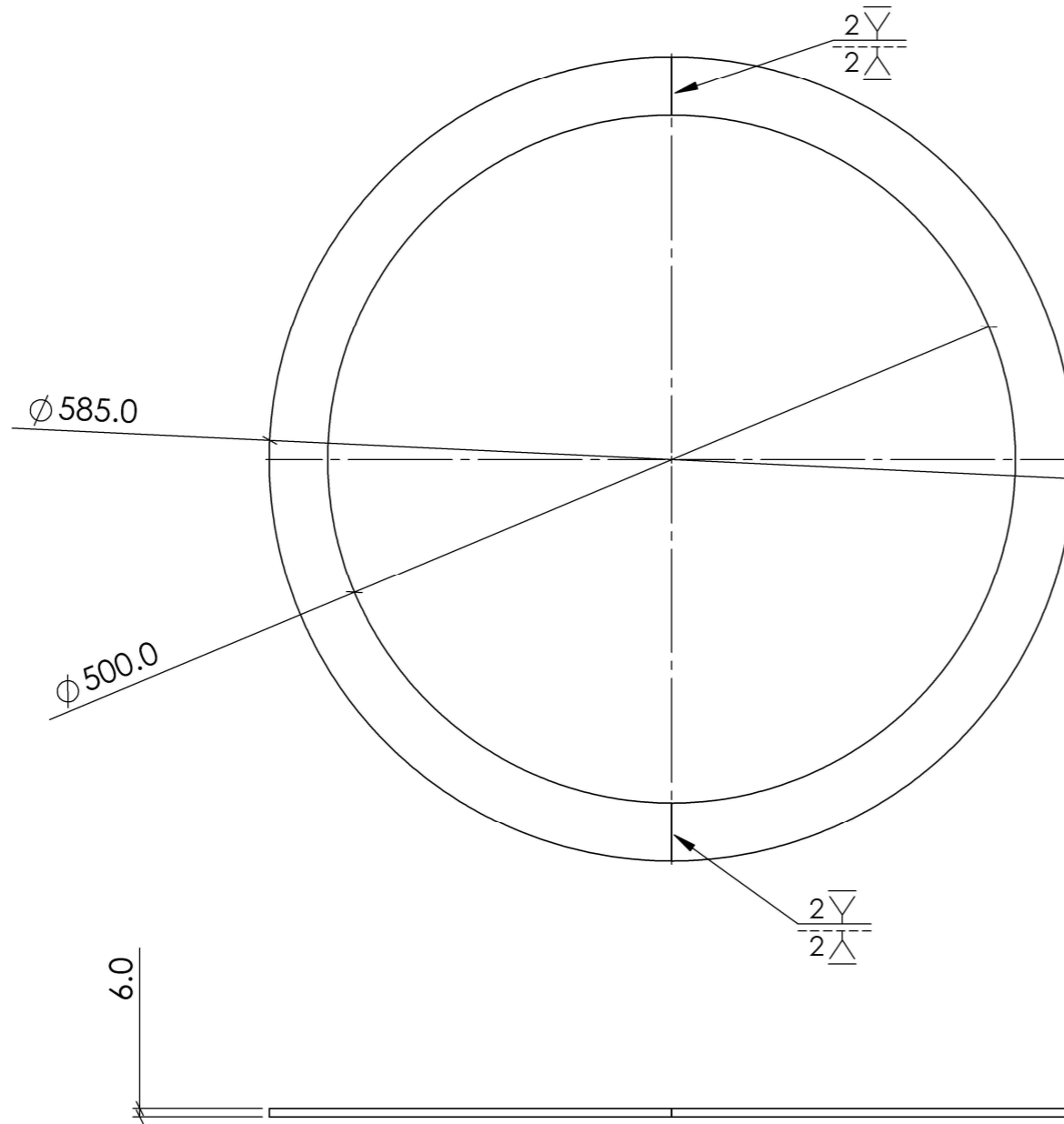
REVISIONS				
ZONE	REV.	DESCRIPTION	DATE	APPROVED
-	2	Patrumpinta išsklotinė per 5mm	-	-



Permitted variations of main Range, mm	
4000-8000	±8
2000-4000	±4
1000-2000	±2
400-1000	±1.5
120-140	±1

EN 1090-1:2009,+A1:2011, EXC2/EXC3

Info:		Pavardė, parašas / Last name, signature	Data / Date	Projektas / Project	Medžiaga / Material	Mastelis / Scale	Revizija / Revision
	Inžinierius / Engineer	Dovydas	1/18/2021	P786	AISI304L	1:5	V02
	Brėž. Patikra / Drawing check			Pav. / Part code: www.metalworks.lt			
Matmenų nuokrypiai / Dimensional deviations:	ISO 2768-mK (V)		P786_P10				
Pav. padengimas / Surface treatment	Kiekis 2 vnt.	Failo pavadinimas / File name					
Padengimo storis / Coating thickness		Kokybės patikra / Quality insp.	_P786 Production drawings V01		COSMOS CONSTRUCTION		
					14	20	

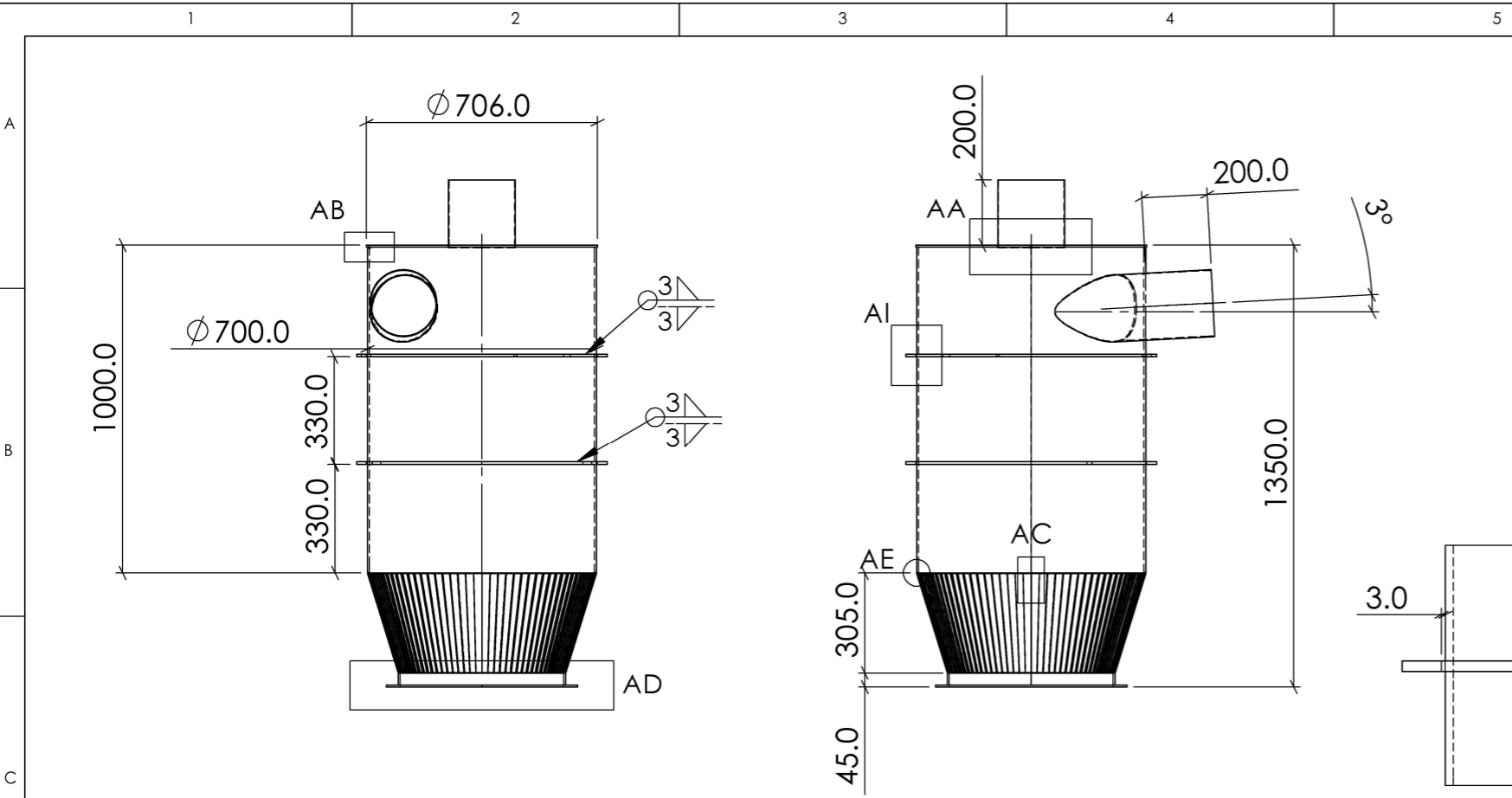


Essential manufacturing tolerances according EN 1090-2:2008

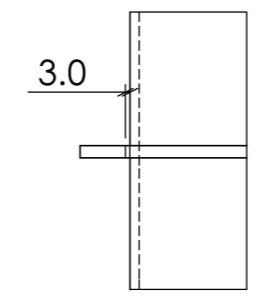
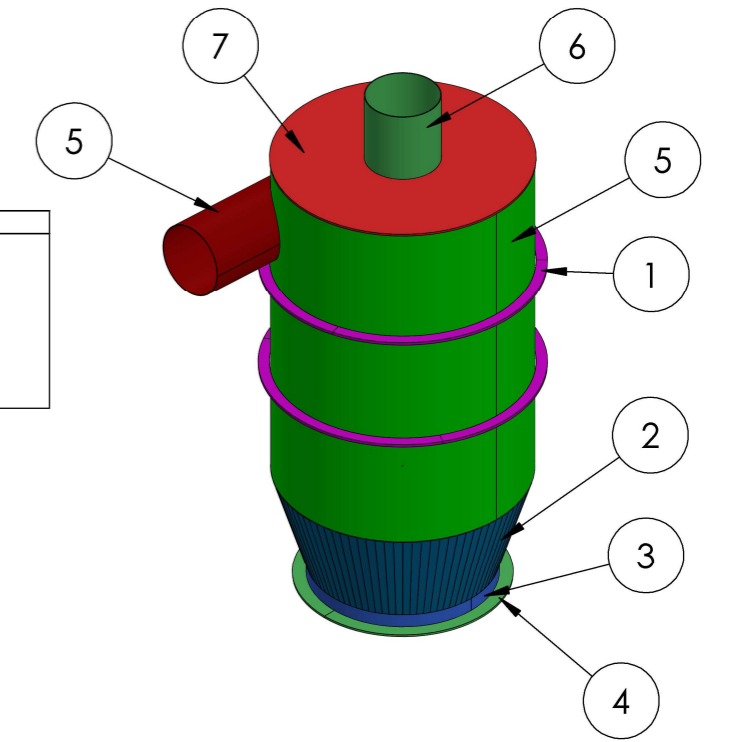
Class of Tolerance	Dimension	Tolerance
F	120-140	±1
F	400-1000	±1.5
F	1000-2000	±2
F	2000-4000	±4
F	4000-8000	±8

EN 1090-1:2009,+A1:2011, EXC2/EXC3

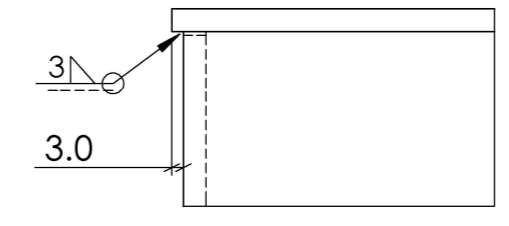
Info:			Pavardė, parašas / Last name, signature	Data / Date	Projektas / Project	Medžiaga / Material	Mastelis / Scale	Revizija / Revision
		Inžinierius / Engineer	Dovydas	1/18/2021	P786	AISI304L	1:5	V01
		Brėž. Patikra / Drawing check			Pav. / Part code: www.metalworks.lt			
		Matmenų nuokrypiai / Dimensional deviations:	ISO 2768-mK (V)		P786_P11			
Pav. padengimas / Surface treatment		Kiekis 2 vnt.	Failo pavadinimas / File name	_P786 Production drawings V01			Lapo nr. / Sheet	Lapu sk. / Total sheet
Padengimo storis / Coating thickness			Kokybės patikra / Quality insp.				15	20
G:\Shared drives\CC\P786, Furuseth, Ciklonai\2. Production Drawings\Production drawings\							Monday, January 18, 2021 10:06:27 AM	



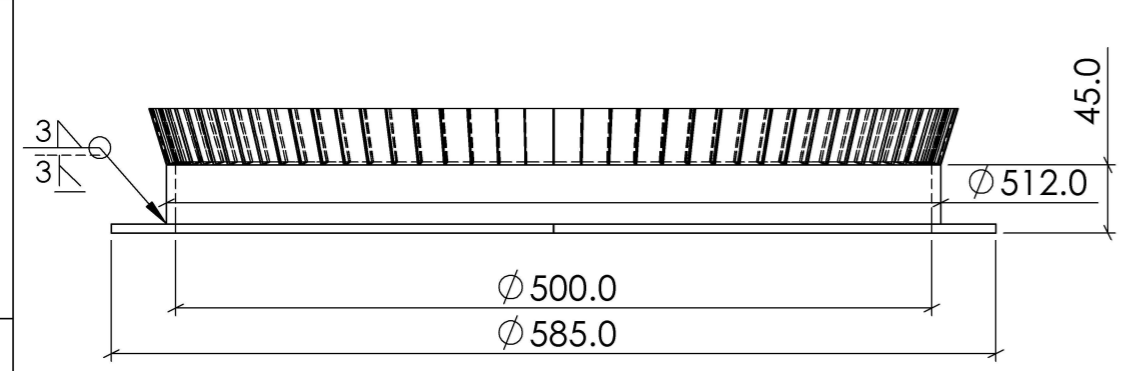
Nr. (Item No.)	Pavadinimas (Part Number)	Apibūdinimas (Description)	Svoris, kg. (Weight)	Plotas, m ² (Surface area)	Vnt. (QTY.)
1	P786_P7		4.4	0.2	2
2	P786_P9		14.3	0.6	2
3	P786_P10		3.0	0.1	1
4	P786_P11		3.5	0.2	1
5	P786_P12		104.9	4.7	1
6	P786_P13		2.1	0.3	1
7	P786_P14		17.2	0.7	1



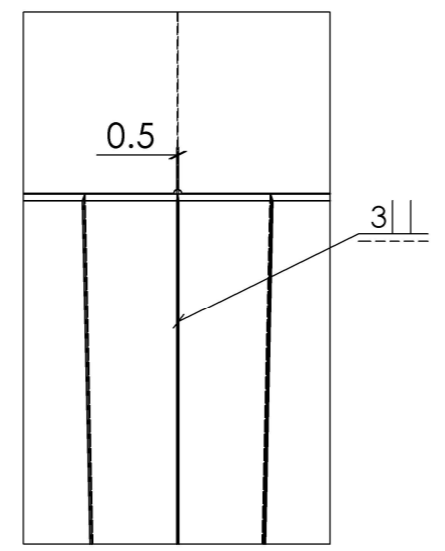
DETAIL AI
SCALE 1 : 5



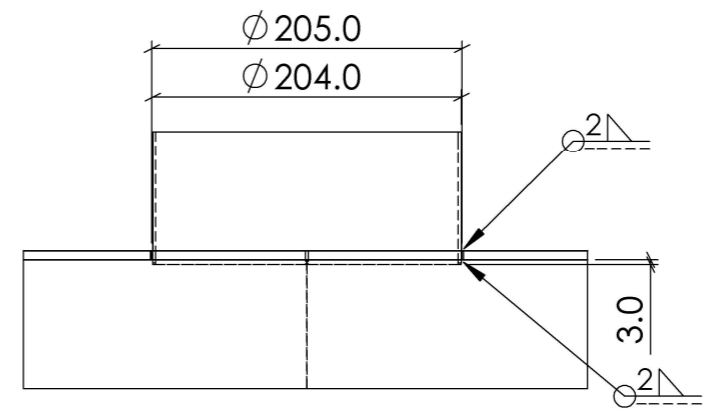
DETAIL AB
SCALE 1 : 2



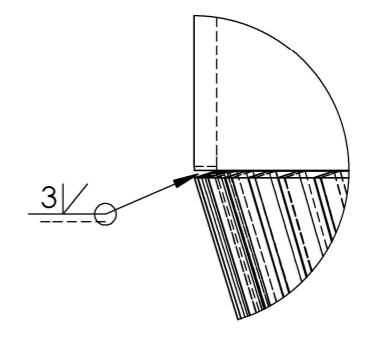
DETAIL AD
SCALE 1 : 5



DETAIL AC
SCALE 1 : 2



DETAIL AA
SCALE 1 : 5



DETAIL AE
SCALE 1 : 2

Essential manufacturing tolerances according EN 1090-2:2008	
Class of Tolerance	Permitted variations of main Range, mm
Dimension	4000-8000
Tolerance	±8
	2000-4000
	±4
	1000-2000
	±2
	400-1000
	±1.5
	120-140
	±1

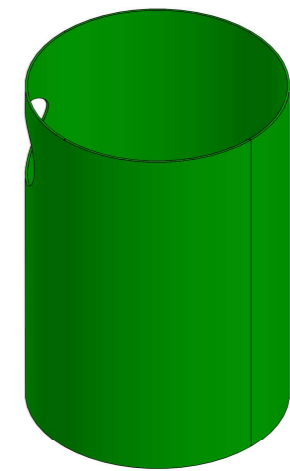
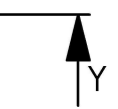
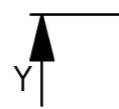
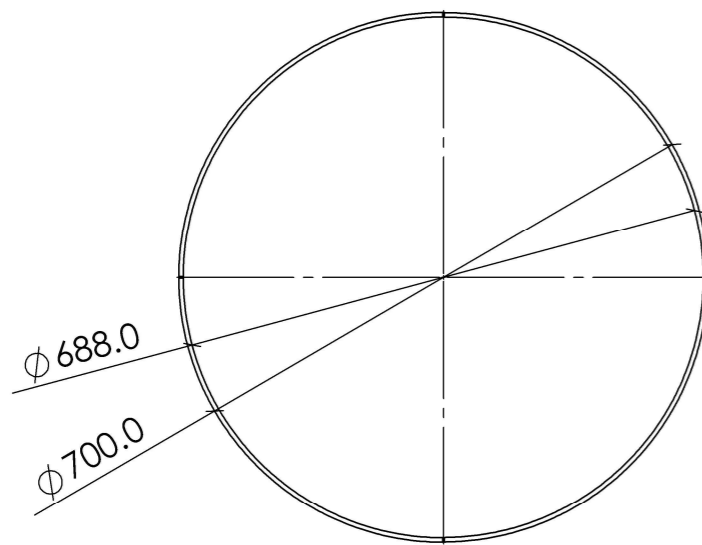
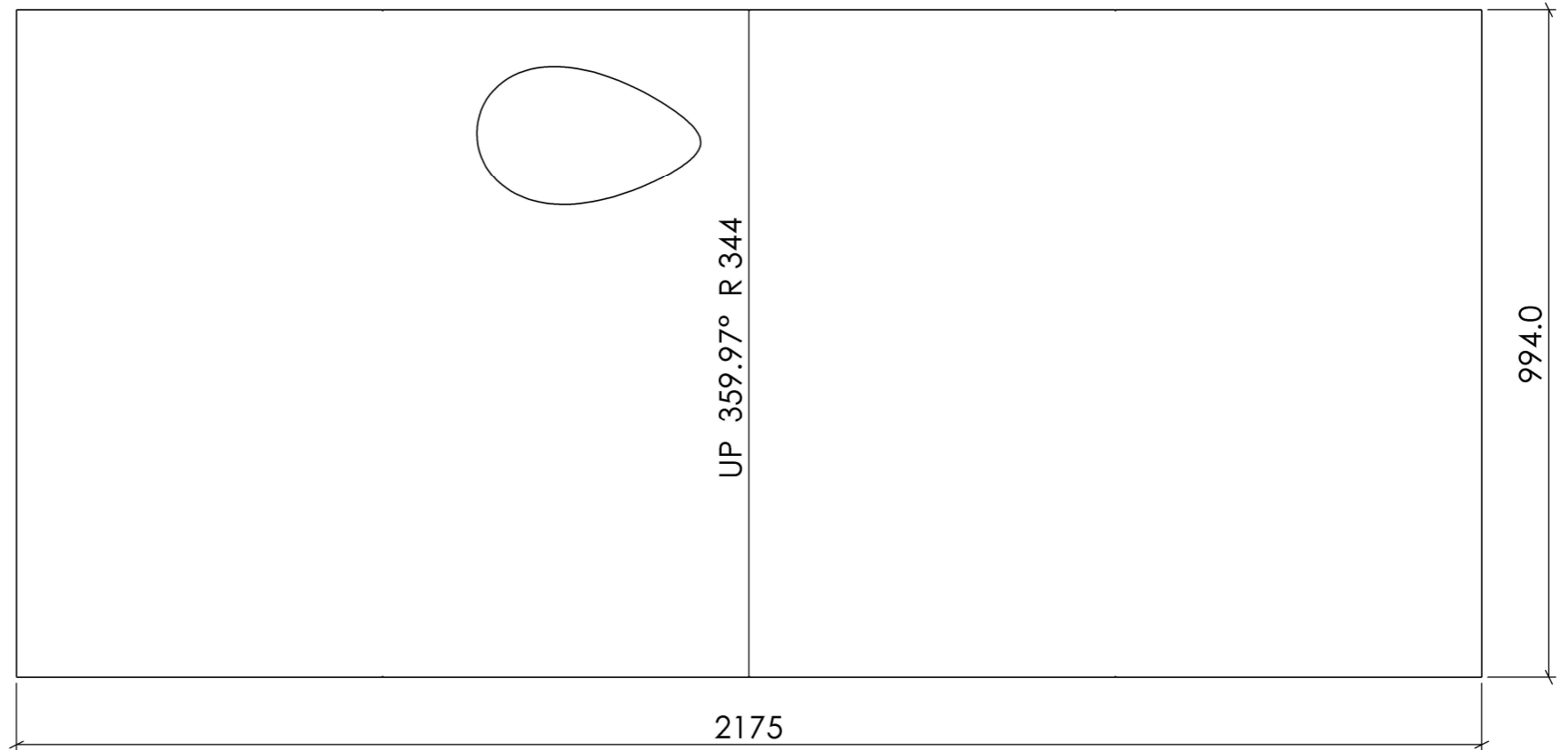
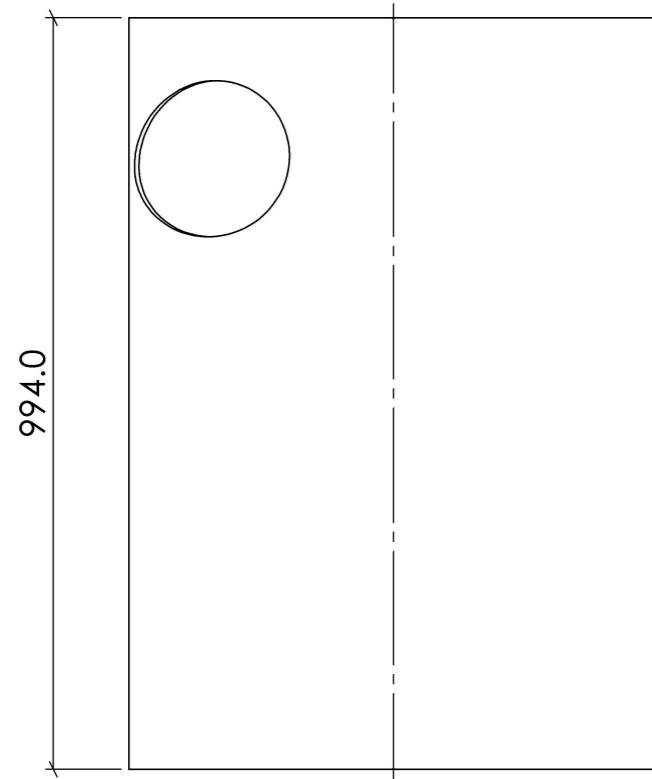
Info:				Pavardė, parašas / Last name, signature	Data / Date	Projektas / Project	Medžiaga / Material	Mastelis / Scale	Revizija / Revision
		Inžinierius / Engineer		Dovydas	1/18/2021	P786	AISI304L	1:20	V01
		Brėž. Patikra / Drawing check				Pav. / Part code: www.metalworks.lt			
		Matmenų nuokrypiai / Dimensional deviations:		ISO 2768-mK (V)					
Pav. padengimas / Surface treatment		Kiekis 1 vnt.		Failo pavadinimas / File name		_P786 Production drawings V01			
Padengimo storis / Coating thickness				Kokybės patikra / Quality insp.					

COSMOS CONSTRUCTION

Lapo nr. / Sheet: 16
Lapu sk. / Total sheet: 20

Monday, January 18, 2021 10:06:27 AM

REVISIONS				
ZONE	REV.	DESCRIPTION	DATE	APPROVED
-	2	Patrumpinta išklotinė per 5mm	-	-



Valcavimo kryptis

SECTION Y-Y

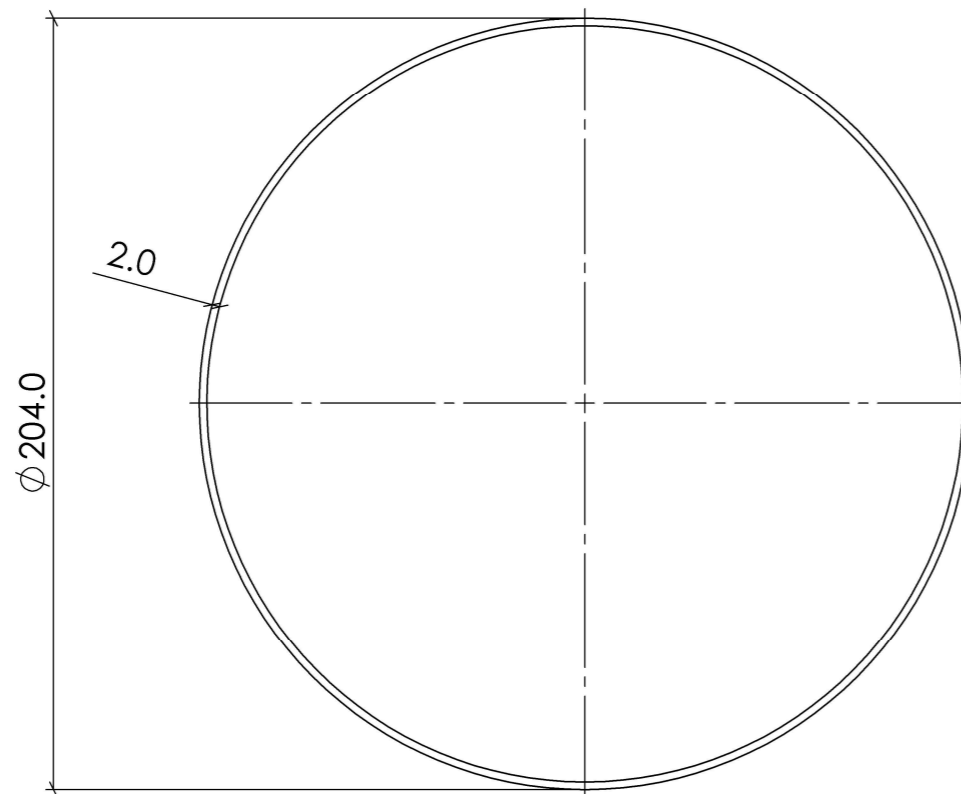
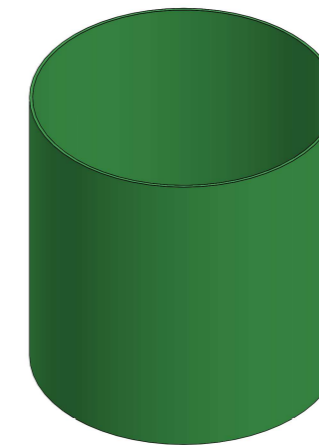
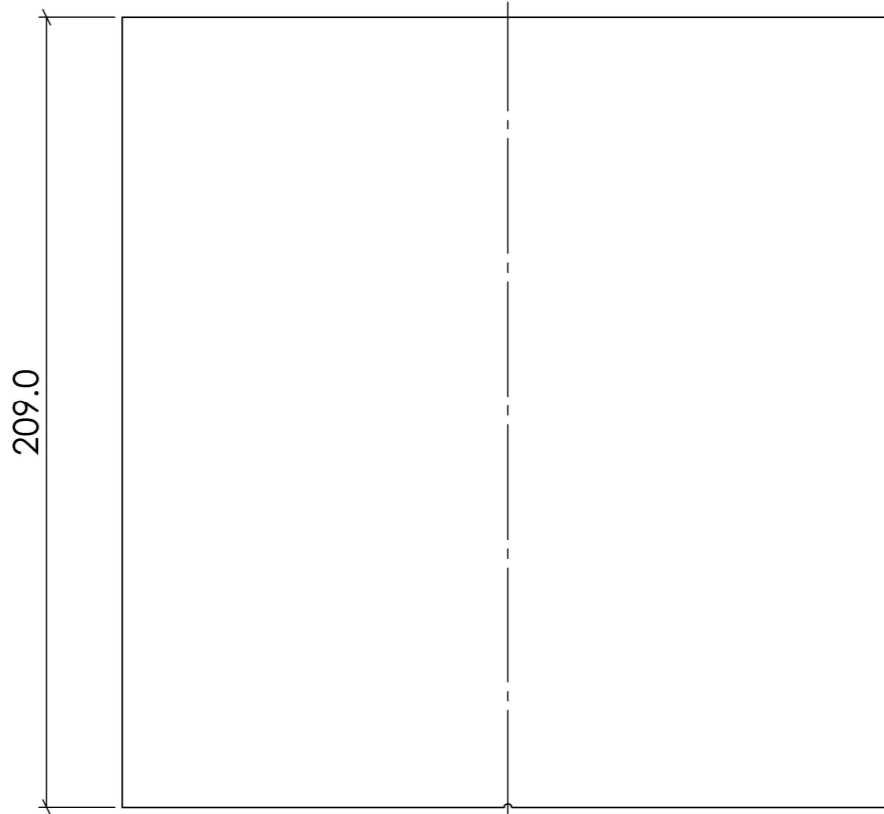
Info:			Pavardė, parašas / Last name, signature	Data / Date	Projektas / Project	Medžiaga / Material	Mastelis / Scale	Revizija / Revision	
	Inžinierius / Engineer		Dovydas	1/18/2021	P786	AISI304L	1:10	V02	
	Brėž. Patikra / Drawing check				Pav. / Part code: www.metalworks.lt				
Matmenų nuokrypiai / Dimensional deviations:		ISO 2768-mK (V)		P786_P12					
Pav. padengimas / Surface treatment		Kiekis 1 vnt.	Failo pavadinimas / File name	_P786 Production drawings V01		COSMOS CONSTRUCTION		Lapo nr. / Sheet	Lapo sk. / Total sheet
Padengimo storis / Coating thickness			Kokybės patikra / Quality insp.					17	20

Essential manufacturing tolerances according EN 1090-2:2008

Class of Tolerance	Dimension	Tolerance
F	120-140	±1
	400-1000	±1.5
F	1000-2000	±2
	2000-4000	±4
	4000-8000	±8
	8000-16000	±16

EN 1090-1:2009,+A1:2011, EXC2/EXC3

Nr. (Item No.)	Pavadinimas (Part Number)	Ilgis (Length)	Kampas1 (Angle1)	Kampas2 (Angle2)	Vnt. (QTY.)
1	Vamzdis ϕ 204x2 AISI 304L	209	0	0	1



Essential manufacturing tolerances according EN 1090-2:2008

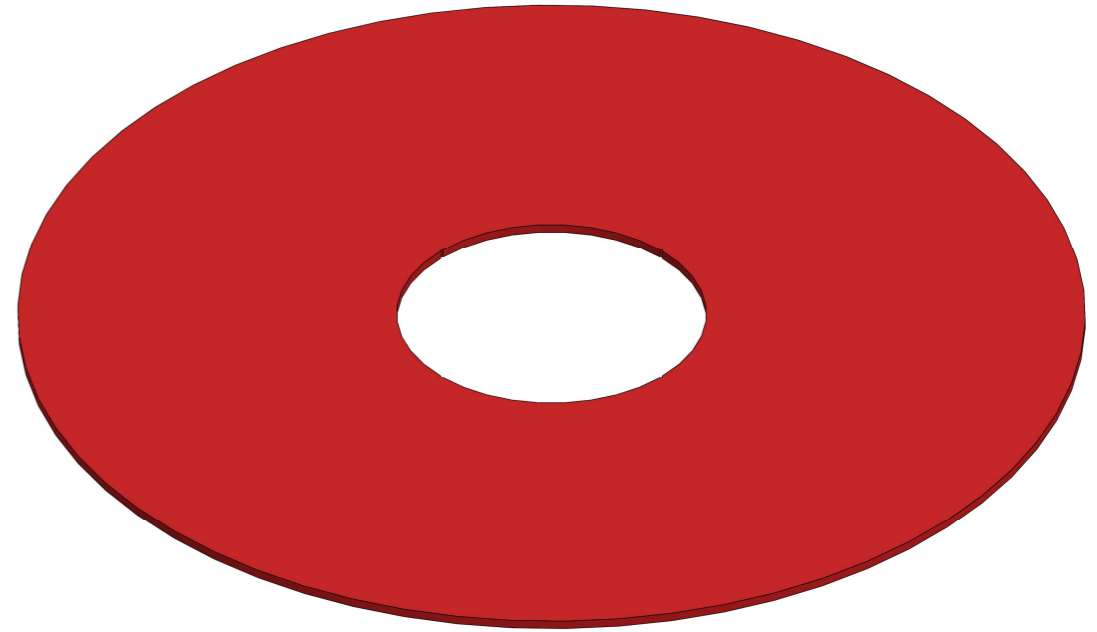
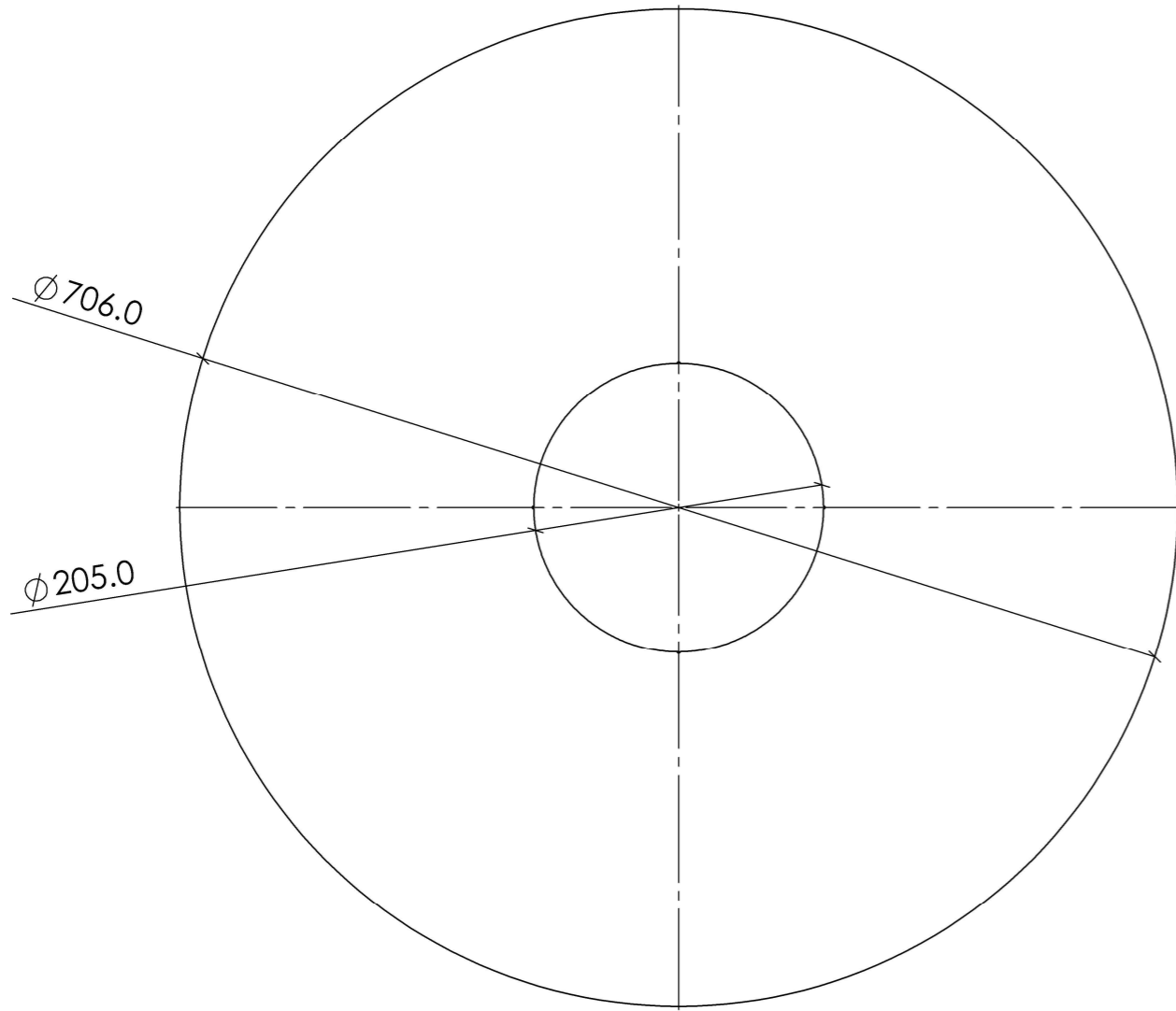
Class of Tolerance	Dimension	Tolerance
120-140	±1	
400-1000	±1.5	
1000-2000	±2	
2000-4000	±4	
4000-8000	±8	

EN 1090-1:2009,+A1:2011, EXC2/EXC3

Info:			Pavardė, parašas / Last name, signature	Data / Date	Projektas / Project	Medžiaga / Material	Mastelis / Scale	Revizija / Revision	
		Inžinierius / Engineer	Dovydas	1/18/2021	P786	AISI304L	1:2	V01	
		Brėž. Patikra / Drawing check			Pav. / Part code: www.metalworks.lt				
		Matmenų nuokrypiai/ Dimensional deviations:	ISO 2768-mK (V)		P786_P13				
Pav. padengimas / Surface treatment		Kiekis	1	vnt.	Failo pavadinimas / File name	_P786 Production drawings V01			
Padengimo storis / Coating thickness				Kokybės patikra / Quality insp.					
						Lapo nr / Sheet	18	Lapu sk / Total sheet	20

G:\Shared drives\CC\P786, Furuseth, Ciklonai\2. Production Drawings\Production drawings\

Monday, January 18, 2021 10:06:27 AM

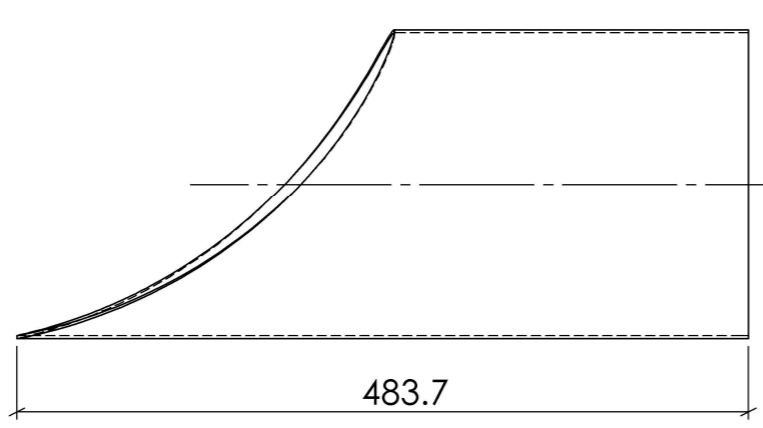
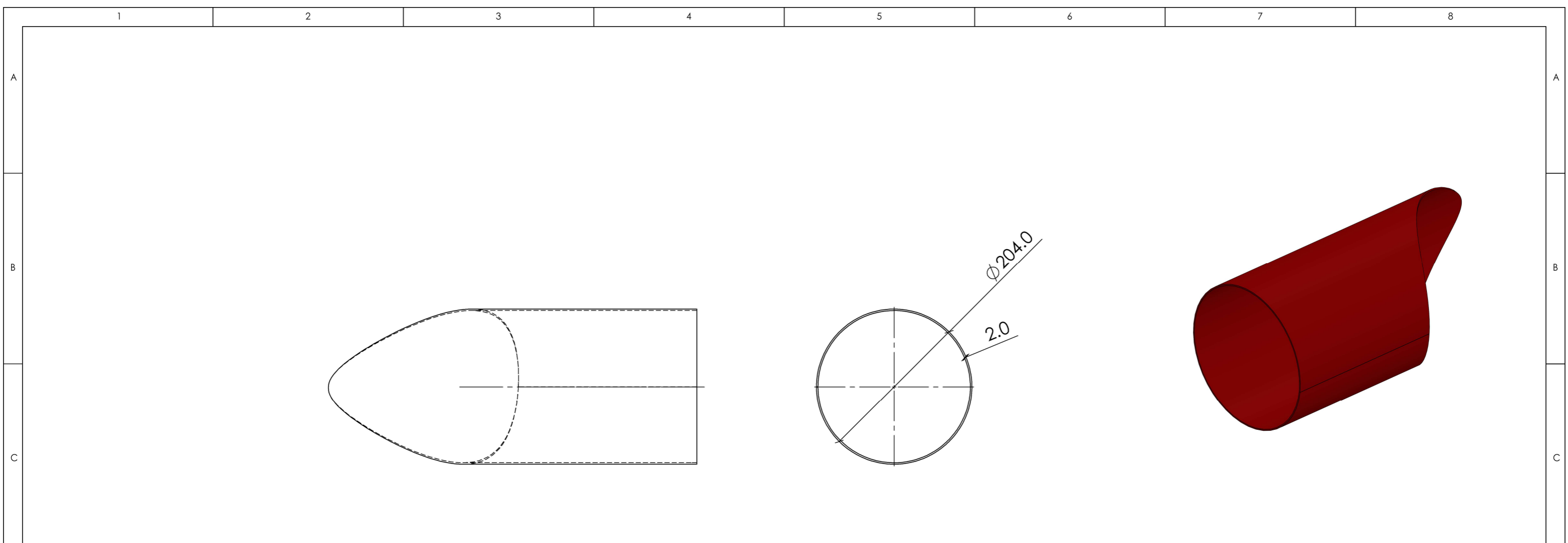


Essential manufacturing tolerances according EN 1090-2:2008

Class of Tolerance	Dimension	Tolerance
120-140	±1	
400-1000	±1.5	
1000-2000	±2	
2000-4000	±4	
4000-8000	±8	

EN 1090-1:2009,+A1:2011, EXC2/EXC3

Info:			Pavardė, parašas / Last name, signature	Data / Date	Projektas / Project	Medžiaga / Material	Mastelis / Scale	Revizija / Revision
		Inžinierius / Engineer	Dovydas	1/18/2021	P786	AISI304L	1:5	V01
		Brėž. Patikra / Drawing check			Pav. / Part code: www.metalworks.lt			
		Matmenų nuokrypiai / Dimensional deviations:	ISO 2768-mK (V)					
Pav. padengimas / Surface treatment		Kiekis	1	vnt.	Fallo pavadinimas / File name	_P786 Production drawings V01		
Padengimo storis / Coating thickness				Kokybės patikra / Quality insp.				
							Lapo nr. / Sheet	Lapu sk. / Total sheet
							19	20



Essential manufacturing tolerances according EN 1090-2:2008	
4000-8000	±8
2000-4000	±4
1000-2000	±2
400-1000	±1.5
120-140	±1
Class of Tolerance	
Dimension	
Tolerance	
EN 1090-1:2009,+A1:2011, EXC2/EXC3	

Info: Vamzdis bus pjaunamas su CNC lazeriu.

Pav. padengimas / Surface treatment		Kiekis	1	vnt.
Padengimo storis / Coating thickness				

G:\Shared drives\CC\P786, Furuseth, Ciklonai\2. Production Drawings\Production drawings\

	Pavardė, parašas / Last name, signature	Dovydas	Data / Date	1/18/2021	Projektas / Project	P786	Medžiaga / Material	AISI304L	Mastelis / Scale	1:5	Revizija / Revision	V01
	Brėž. Patikra / Drawing check				Pav. / Part code: www.metalworks.lt							
	Matmenų nuokrypiai / Dimensional deviations:	ISO 2768-mK (V)		P786_P16								
Fallo pavadinimas / File name	_P786 Production drawings		V01	COSMOS CONSTRUCTION		<small>Lapo nr / Sheet</small>	20	<small>Lapu sk / Total sheet</small>	20			
Kokybės patikra / Quality insp.						Monday, January 18, 2021 10:06:27 AM						